

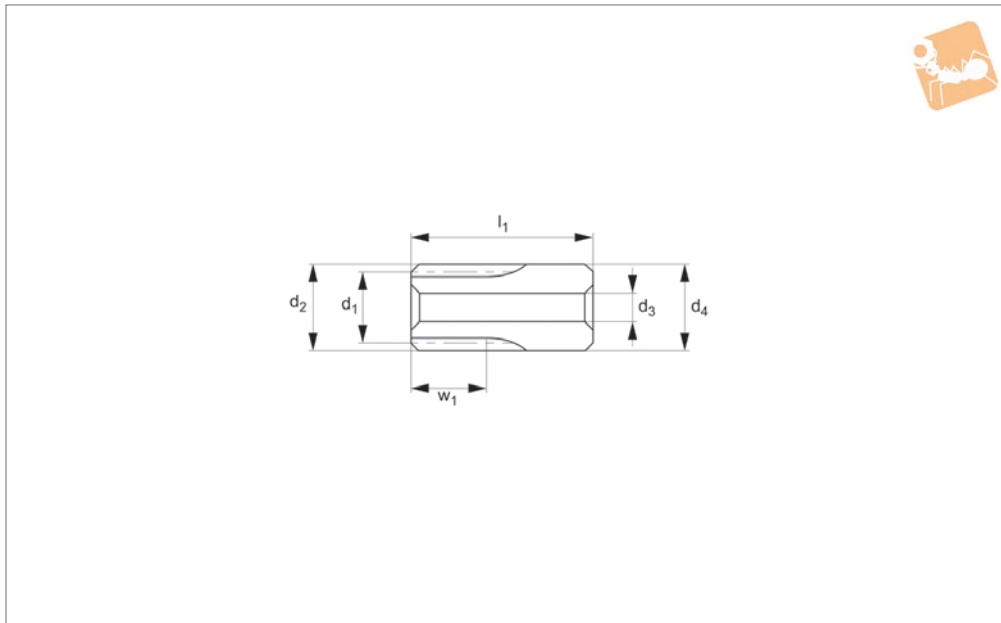


Spur Gears - Module 0.8 - Plastic

blue polyacetal - 14-15 teeth



Standard Spur Gears



R5156

STANDARD SPUR GEARS

Material

Blue polyacetal (PA, also known as polyoxymethylene/POM), machined. Accuracy to JIS B 1702-1 (ISO) class 9-10.

Technical Notes

20° pressure angle, full depth tooth.
Amount of backlash when assembling gears = 0,016 - 0,048mm.

Blue polyacetal machined gears are suitable for use in food machinery applications. Approved by the FDA (USA) and by regulators in the EU and Japan, where the food has an alcohol percentage of <15%. Please clean gears thoroughly before use.

Tips

For module 0.8 blue polyacetal gears with

16-120 teeth, see R5157.

Max. allowable torque (Nm) is based on standard operating conditions (see technical pages) with a safety factor of 1.2. For non standard applications apply a suitable safety factor depending on frequency of use, type of working etc.

Order No.	Module	No. of teeth z	Pitch dia. d ₁	d ₂	w ₁	d ₃ tol. H9	d ₄	l ₁	Torque Nm max.	Weight g
R5156.080-014	m 0.8	14	11.2	12.8	7	3	12.8	20	0.48	3.1
R5156.080-015	m 0.8	15	12.0	13.6	7	3	13.6	20	0.51	3.6