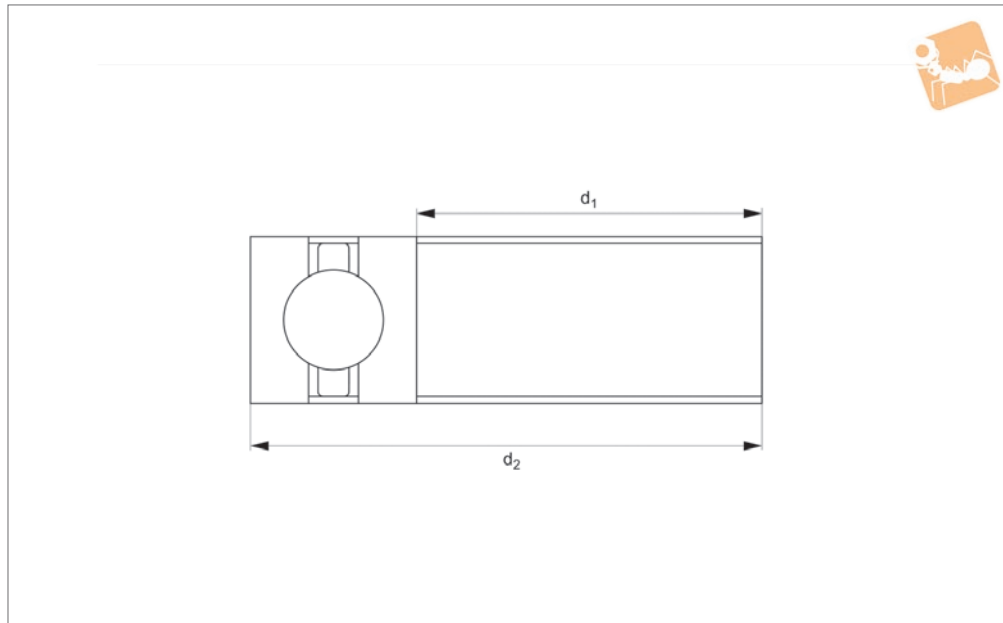




# Split Bearing - Slim

slim bearing type

## Ring Bearings



**R4200**

RING BEARINGS

### Material

Corrosion resistant split bearing rings.  
Ball bearings retained in plastic cage.

### Tips

Our split bearings are compatible with most other manufacturers and are very cost

competitive. Please ask us to 'cross reference' if required.

Order No.	d <sub>1</sub> inch	d <sub>1</sub> mm	d <sub>2</sub> mm	Dyn. load C <sub>ax</sub> kN max.	Dyn. load C <sub>rad</sub> kN max.	Static load C <sub>0 ax</sub> kN max.	Static load C <sub>0 rad</sub> kN max.	Speed rpm max.	Weight kg
R4200.040	4	101.60	120.65	9.3	8.5	37.0	14.7	1500	0.18
R4200.042	4¼	107.95	127.00	9.6	8.7	39.5	15.8	1410	0.19
R4200.045	4½	114.30	133.35	9.7	8.8	41.0	16.5	1340	0.20
R4200.047	4¾	120.65	139.70	10.0	9.0	44.0	17.5	1270	0.21
R4200.050	5	127.00	146.05	10.10	9.1	45.5	18.2	1200	0.22
R4200.055	5½	139.70	158.75	10.60	9.6	51.0	20.3	1090	0.24
R4200.060	6	152.40	171.45	10.90	9.8	55.0	22.1	1000	0.26
R4200.065	6½	165.10	184.15	11.20	10.1	60.0	23.9	920	0.28
R4200.070	7	177.80	196.85	11.50	10.4	64.0	25.5	860	0.30
R4200.075	7½	190.50	209.55	11.70	10.6	68.0	27.5	800	0.32
R4200.080	8	203.20	222.25	12.00	10.9	73.0	29.0	750	0.34
R4200.085	8½	215.90	234.95	12.20	11.1	77.0	31.0	710	0.36
R4200.090	9	228.60	247.65	12.50	11.3	82.0	32.5	670	0.38
R4200.095	9½	241.30	260.35	12.80	11.6	87.0	35.0	630	0.39
R4200.100	10	254.00	273.05	13.00	11.8	91.0	36.5	600	0.41
R4200.105	10½	266.70	285.75	13.30	12.0	96.0	38.5	570	0.43
R4200.110	11	279.40	298.45	13.50	12.2	100.0	40.0	550	0.45
R4200.115	11½	292.10	311.15	13.70	12.4	105.0	42.0	520	0.47
R4200.120	12	304.80	323.85	13.90	12.6	109.0	43.5	500	0.49
R4200.130	13	330.20	349.25	14.30	12.9	118.0	47.0	460	0.53
R4200.140	14	355.60	374.65	14.70	13.3	127.0	51.0	430	0.56
R4200.150	15	381.00	400.05	15.10	13.6	136.0	54.0	400	0.60
R4200.160	16	406.40	425.45	15.40	13.9	145.0	58.0	380	0.64
R4200.170	17	431.80	450.85	15.70	14.2	154.0	62.0	350	0.68
R4200.180	18	457.20	476.25	16.10	14.5	163.0	65.0	330	0.72
R4200.190	19	482.60	501.65	16.40	14.8	172.0	69.0	320	0.76
R4200.200	20	508.00	527.05	16.70	15.1	181.0	72.0	300	0.79
R4200.210	21	533.40	552.45	17.00	15.4	190.0	76.0	290	0.83
R4200.220	22	558.80	577.85	17.30	15.6	199.0	79.0	270	0.87
R4200.230	23	584.20	603.25	17.60	15.9	208.0	83.0	260	0.91
R4200.240	24	609.60	628.65	17.90	16.1	217.0	87.0	250	0.95
R4200.250	25	635.00	654.05	18.10	16.4	226.0	90.0	240	0.98
R4200.260	26	660.40	679.45	18.40	16.6	235.0	94.0	230	1.02
R4200.270	27	685.80	704.85	18.70	16.9	245.0	98.0	220	1.06



Order No.	d <sub>1</sub> inch	d <sub>1</sub> mm	d <sub>2</sub> mm	Dyn. load C <sub>ax</sub> kN max.	Dyn. load C <sub>rad</sub> kN max.	Static load C <sub>0 ax</sub> kN max.	Static load C <sub>0 rad</sub> kN max.	Speed rpm max.	Weight kg
<b>R4200.280</b>	28	711.20	730.25	18.90	17.1	255.0	101.0	210	1.10
<b>R4200.290</b>	29	736.60	755.65	19.10	17.3	260.0	105.0	210	1.14
<b>R4200.300</b>	30	762.00	781.05	19.30	17.5	270.0	108.0	200	1.18
<b>R4200.310</b>	31	787.40	806.45	19.60	17.7	280.0	112.0	190	1.22
<b>R4200.320</b>	32	812.80	831.85	19.80	17.9	290.0	116.0	190	1.26
<b>R4200.330</b>	33	838.20	857.25	20.00	18.1	300.0	119.0	180	1.30
<b>R4200.340</b>	34	863.60	882.65	31.0	18.5	305.0	123.0	180	1.34