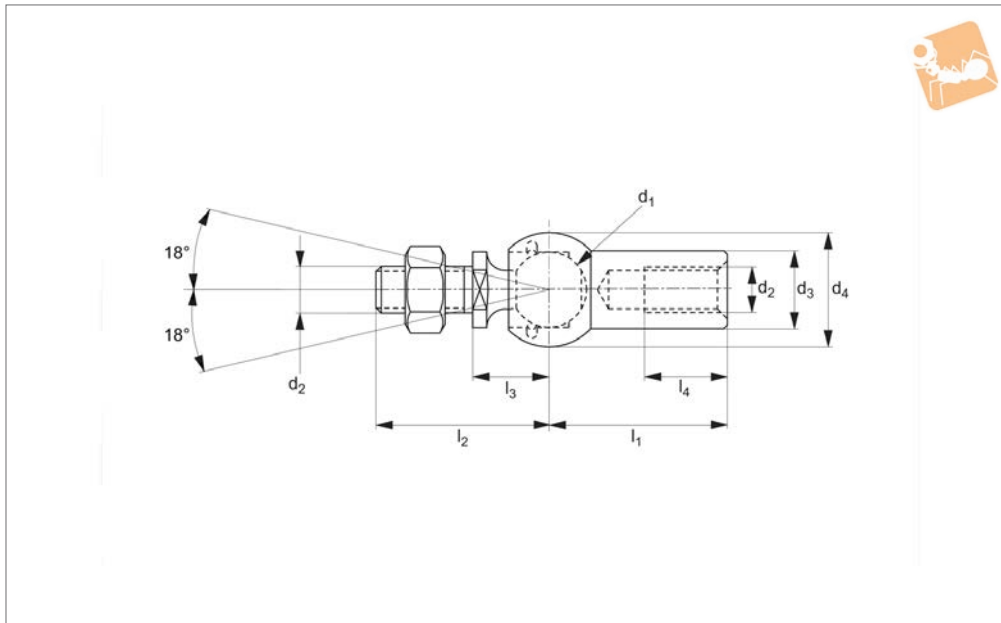




Stainless Axial Ball and Socket Joints

left hand thread

Ball & Socket Joints



R3507

BALL & SOCKET JOINTS

Material

Stainless steel (AISI 303).

Technical Notes

Similar to DIN 71802, *M14x1,5 is a fine pitch thread.

Order No.	Thread hand	d ₁ tol. h9	d ₂	l ₁	d ₃ ±0.5	d ₄ ±0.5	l ₂	l ₃	l ₄	Extraction force N	Weight g
R3507.L005	Left	8	M5	22	8	12.8	19.2	9	10.2	30	15.2
R3507.L006	Left	10	M6	25	10	14.8	23.5	11	11.5	40	25.2
R3507.L008	Left	13	M8	30	13	19.3	29.5	13	14.0	60	53.1
R3507.L010	Left	16	M10	35	16	24.0	36.0	16	15.5	80	103.8
R3507.L014	Left	19	M14x1,5*	45	22	30.0	48.0	20	21.5	100	220.9