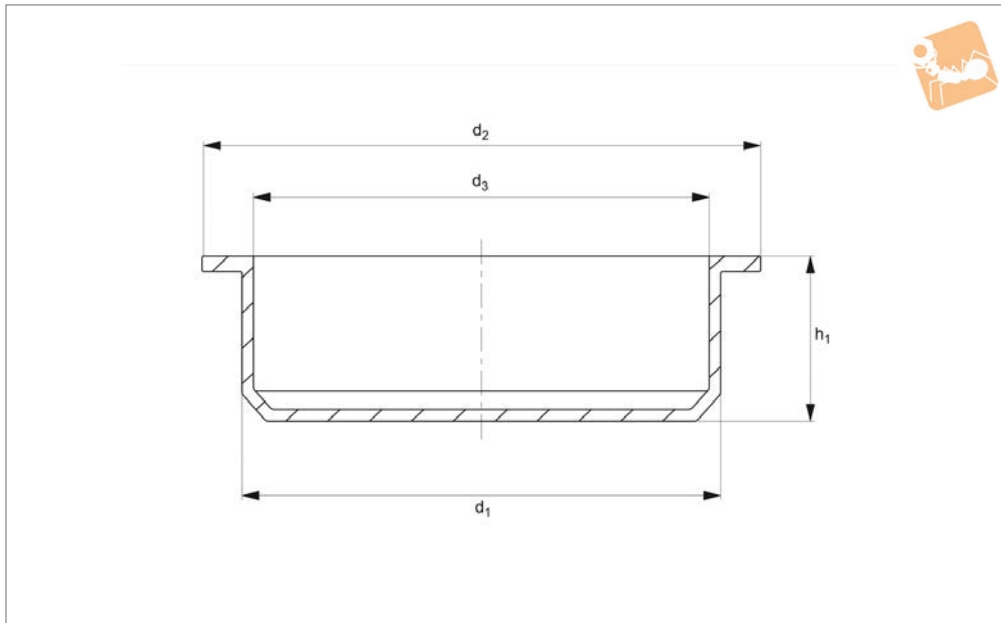
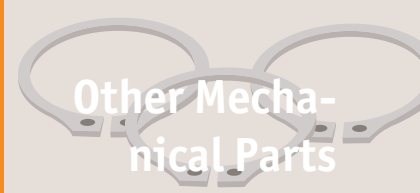




Parallel Protection Plug

push fit



P1980

OTHER MECHANICAL PARTS

Material

Polyethylene, natural colour.

applications.

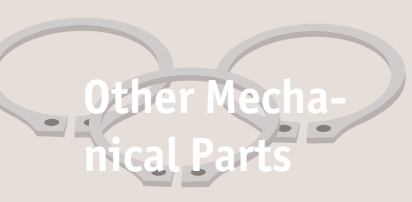
Technical Notes

General purpose for a wide range of appli-

Important Notes

Sold subject to minimum pack quantity.

Order No.	d_1	d_2	d_3	h_1	Thread	Thread inch
P1980.035	3.5	6.9	2.0	5.5	M 4	-
P1980.055	5.5	9.0	4.5	7.0	-	-
P1980.065	6.5	9.9	5.5	8.0	-	-
P1980.075	7.5	10.5	6.3	7.5	-	-
P1980.085	8.5	11.5	7.5	8.7	M10	-
P1980.095	9.5	12.3	8.5	8.2	-	-
P1980.026	26.0	30.9	24.5	11.6	-	-
P1980.026.5	26.5	30.4	25.0	11.5	-	-
P1980.027	27.0	31.0	25.2	10.4	M30	-
P1980.028	28.0	31.3	26.0	11.5	-	-
P1980.029	29.0	32.0	27.0	10.5	-	7/8"
P1980.031	31.0	35.0	29.0	11.8	-	1"
P1980.032	32.0	36.9	30.0	11.6	-	-
P1980.032.5	32.5	37.4	30.5	11.6	M36	-
P1980.033	33.0	37.7	31.0	11.4	-	-
P1980.034	34.0	38.5	32.0	11.7	-	-
P1980.036	36.0	41.2	34.0	12.0	M39	-
P1980.037	37.0	41.6	35.0	11.5	-	-
P1980.038	38.0	42.0	36.0	11.5	M42	-
P1980.039	39.0	43.8	37.0	11.3	-	-
P1980.046	46.0	50.6	44.0	11.3	-	1,1/2"
P1980.047	47.0	51.3	45.0	11.3	-	-
P1980.048	48.0	53.2	46.0	11.5	-	-
P1980.049	49.0	53.7	47.0	11.5	-	-
P1980.050	50.0	54.1	48.0	11.0	-	-
P1980.051	51.0	54.5	49.0	10.8	-	-
P1980.052	52.0	60.0	50.0	12.0	-	-
P1980.053	53.0	59.0	51.0	11.9	-	-
P1980.054	54.0	60.5	52.0	12.0	-	-
P1980.056	56.0	62.4	54.0	13.0	-	-
P1980.057	57.0	60.2	55.0	10.8	-	-
P1980.058	58.0	64.6	56.0	11.7	-	-
P1980.059	59.0	66.7	57.0	10.7	-	-
P1980.060	60.0	67.3	58.0	12.0	-	-



Order No.	d ₁	d ₂	d ₃	h ₁	Thread	Thread inch
P1980.061	61.0	67.1	59.0	12.5	-	-
P1980.062	62.0	68.7	60.0	12.2	-	-
P1980.063	63.0	66.5	61.0	11.0	-	-
P1980.063.5	63.5	69.5	61.0	11.5	-	-
P1980.064	64.0	67.2	62.0	10.7	-	-
P1980.066	66.0	71.5	64.0	11.7	-	-
P1980.067	67.0	73.0	65.0	11.5	-	-
P1980.068	68.0	74.2	66.0	11.8	-	-
P1980.069	69.0	75.0	67.0	11.9	-	-
P1980.070	70.0	74.2	68.0	12.1	-	-
P1980.071	71.0	75.0	69.0	12.5	-	-
P1980.072	72.0	79.0	70.0	13.0	-	-
P1980.073	73.0	76.5	71.0	12.0	-	-
P1980.074	74.0	77.0	72.0	11.8	-	-
P1980.076	76.0	78.8	74.0	11.5	-	-
P1980.077	77.0	80.5	75.0	11.0	-	-
P1980.078	78.0	81.7	76.0	11.7	-	-
P1980.079	79.0	82.0	77.0	11.0	-	-
P1980.080	80.0	83.5	78.0	10.7	-	-
P1980.081	81.0	84.0	79.0	10.7	-	-
P1980.082	82.0	85.5	80.0	10.5	-	-
P1980.083	83.0	86.0	81.0	10.7	-	-
P1980.084	84.0	90.0	82.0	12.0	-	-
P1980.084.5	84.5	90.0	82.0	9.2	-	-
P1980.086	86.0	89.0	83.5	11.0	-	-
P1980.086.5	86.5	90.0	84.0	11.0	-	-
P1980.087	87.0	90.0	85.0	10.7	-	-
P1980.088	88.0	91.0	86.0	10.5	-	-
P1980.089	89.0	92.5	87.0	12.0	-	-
P1980.090	90.0	93.5	88.0	11.0	-	-
P1980.091	91.0	94.3	89.0	11.0	-	-
P1980.092	92.0	95.8	90.0	10.8	-	-
P1980.093	93.0	95.6	91.0	10.8	-	-
P1980.094	94.0	97.5	92.0	10.7	-	-
P1980.096	96.0	99.5	94.0	10.8	-	-
P1980.097	97.0	100.1	95.0	10.7	-	-
P1980.098	98.0	101.8	96.0	10.8	-	-
P1980.099	99.0	102.5	97.0	10.7	-	-
P1980.100	100.0	104.5	98.0	11.5	-	-