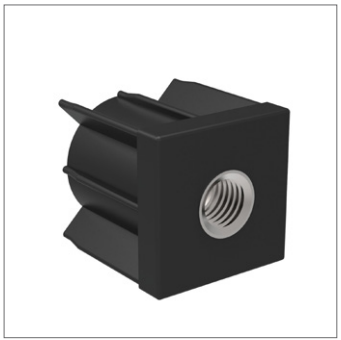
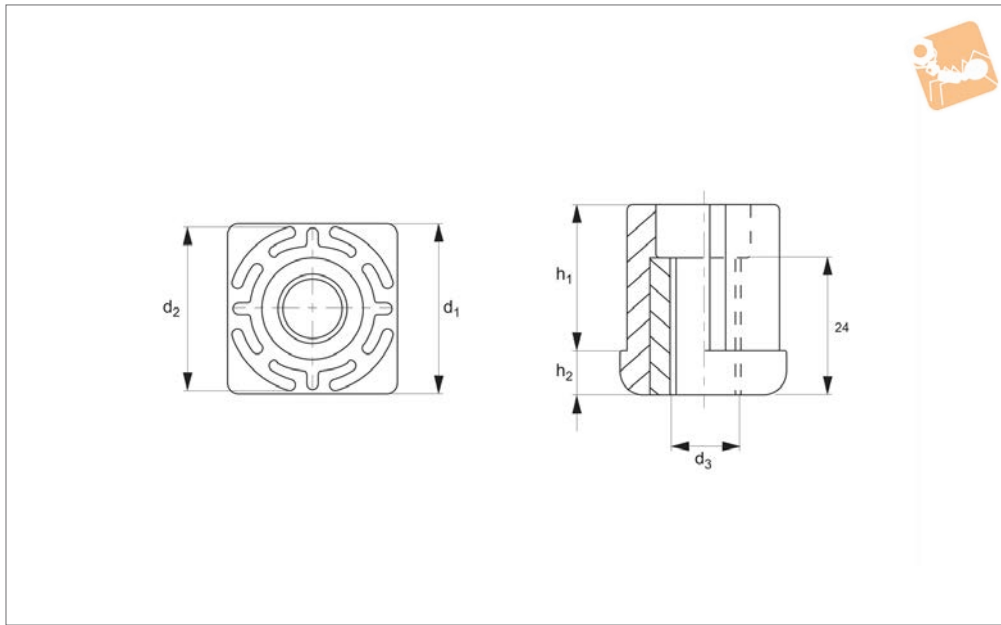




# Threaded Plastic Inserts for Hollow with brass bush



## P1974

OTHER MECHANICAL PARTS

### Material

Body: polyamide reinforced nylon.  
Bush: brass, nickel plated.

### Technical Notes

For use with levelling feet parts.

Order No.	Outerbox $d_1$	Innerbox $d_2$	$d_3$	$h_1$	$h_2$	Rec. load kg max.
P1974.212	40x40x1,5	37	M12	35	8	1000





## A Range of features to suit your application

### Product selection

To ensure you select the most suitable levelling feet for your application consider the following questions:

- Tilting or fixed?
- Material required - steel, stainless or plastic?
- Load carrying capacity - light, medium or heavy duty?  
(Review the quoted load capacities in the individual product tables).
- Bolt down feature required?
- Threaded or plastic insert required for mounting?
- Optional extras: hygiene seal, rubber pad, (subject to minimum quantity and selected model).

### Key types



Fixed feet



Articulating levelling feet



Machine mounts



Fulcrum screw

### Available features



Articulation



Standard nylon base



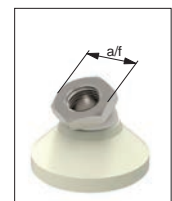
Anti-slip base



Bolt down base



Hygienic seal



Hex for easy installation

### Materials



Steel thread - Nylon base



Stainless thread - Nylon base



Steel thread - Steel base



Stainless thread - Stainless base

### Mounting inserts



Weldable insert



Hollow section insert



Hollow section bushed insert

### Additional technical information



▶ For applications under greater loads and requiring increased precision of adjustment see our range of Precision Height Adjusters.

▶ For applications exposed to extreme vibrations see our range of Anti-Vibration Mounts.

