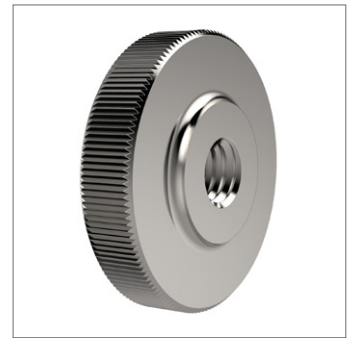
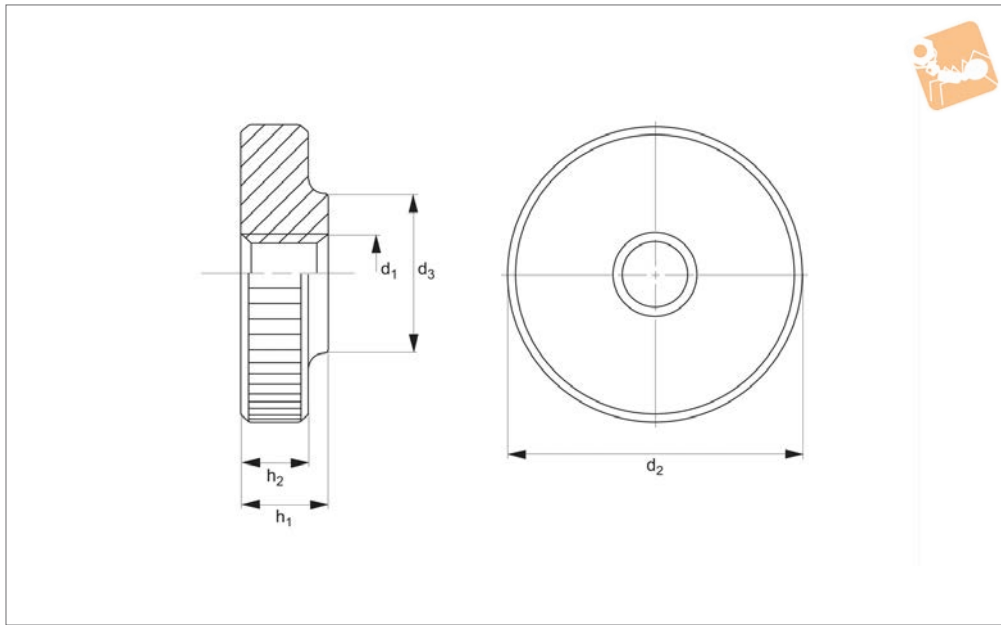




Flat Knurled Nuts

stainless steel



P0406.A2

THUMB SCREWS

Material

Stainless steel 1,4305 (AISI 303), dull blasted.

Order No.	d ₁	d ₂	d ₃	h ₁	h ₂	Weight g
P0406.040-A2	M 4	16	8	4	3.5	5.0
P0406.050-A2	M 5	20	10	5	4.0	9.4
P0406.060-A2	M 6	24	12	6	5.0	17.0
P0406.080-A2	M 8	30	16	8	6.0	32.0