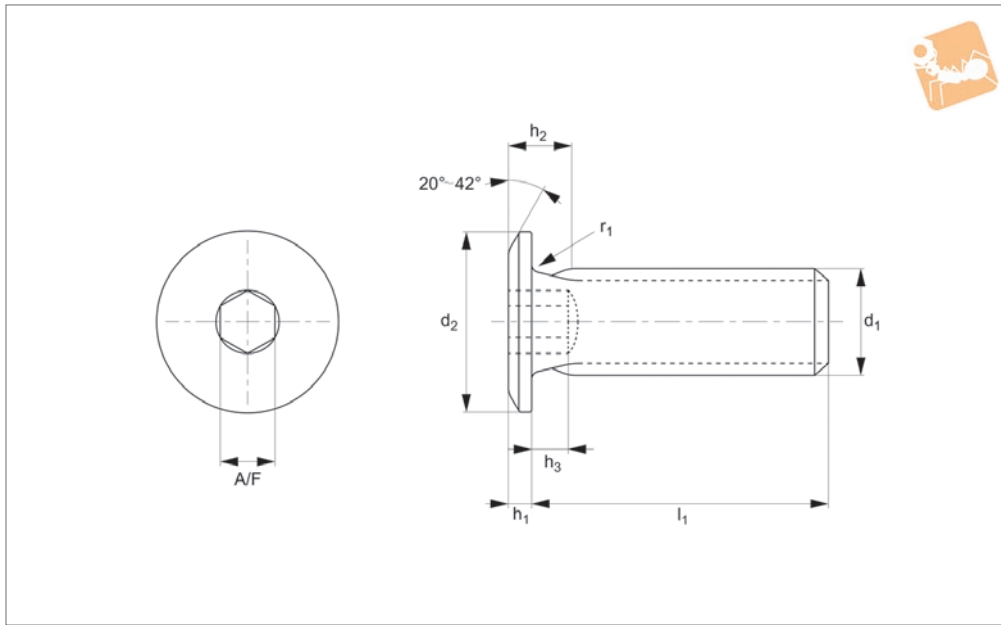




Ultra Low Head Cap Screws

hex. drive - titanium

Standard Screws



P0208.Ti

STANDARD SCREWS

Material

Titanium (ASTM B348 grades 2 and 5). Titanium has outstanding corrosion resistance and a very high strength-to-weight ratio. Grade 2 titanium is pure titanium and

grade 5 titanium is the alloy Ti6Al4V.

Technical Notes

The ultra low head is extremely low profile. These screws do not require a countersunk

location hole. Most suitable for machine and equipment applications with minimal clearance.

Order No.	d ₁	d ₂	h ₁	h ₂ max.	h ₃ max.	l ₁	r ₁ min.	A/F	Torque to Nm max.	Material grade
P0208.020-003-T2	M 2	4	0.5	1.2	1.2	3	0.10	1.3	0.16	titanium grade 2
P0208.020-004-T2	M 2	4	0.5	1.2	1.2	4	0.10	1.3	0.16	titanium grade 2
P0208.020-005-T2	M 2	4	0.5	1.2	1.2	5	0.10	1.3	0.16	titanium grade 2
P0208.020-006-T2	M 2	4	0.5	1.2	1.2	6	0.10	1.3	0.16	titanium grade 2
P0208.020-008-T2	M 2	4	0.5	1.2	1.2	8	0.10	1.3	0.16	titanium grade 2
P0208.020-010-T2	M 2	4	0.5	1.2	1.2	10	0.10	1.3	0.16	titanium grade 2
P0208.025-003-T2	M 2,5	5	0.6	1.5	1.2	3	0.10	1.3	0.35	titanium grade 2
P0208.025-004-T2	M 2,5	5	0.6	1.5	1.2	4	0.10	1.3	0.35	titanium grade 2
P0208.025-005-T2	M 2,5	5	0.6	1.5	1.2	5	0.10	1.3	0.35	titanium grade 2
P0208.025-006-T2	M 2,5	5	0.6	1.5	1.2	6	0.10	1.3	0.35	titanium grade 2
P0208.030-005-T2	M 3	6	0.8	2.0	1.4	5	0.10	1.5	0.60	titanium grade 2
P0208.030-006-T2	M 3	6	0.8	2.0	1.4	6	0.10	1.5	0.60	titanium grade 2
P0208.030-008-T2	M 3	6	0.8	2.0	1.4	8	0.10	1.5	0.60	titanium grade 2
P0208.030-010-T2	M 3	6	0.8	2.0	1.4	10	0.10	1.5	0.60	titanium grade 2
P0208.030-012-T2	M 3	6	0.8	2.0	1.4	12	0.10	1.5	0.60	titanium grade 2
P0208.030-016-T2	M 3	6	0.8	2.0	1.4	16	0.10	1.5	0.60	titanium grade 2
P0208.040-005-T2	M 4	8	0.9	2.5	1.5	5	0.20	2.0	1.10	titanium grade 2
P0208.040-006-T2	M 4	8	0.9	2.5	1.5	6	0.20	2.0	1.10	titanium grade 2
P0208.040-008-T2	M 4	8	0.9	2.5	1.5	8	0.20	2.0	1.10	titanium grade 2
P0208.040-010-T2	M 4	8	0.9	2.5	1.5	10	0.20	2.0	1.10	titanium grade 2
P0208.040-012-T2	M 4	8	0.9	2.5	1.5	12	0.20	2.0	1.10	titanium grade 2
P0208.040-016-T2	M 4	8	0.9	2.5	1.5	16	0.20	2.0	1.10	titanium grade 2
P0208.040-020-T2	M 4	8	0.9	2.5	1.5	20	0.20	2.0	1.10	titanium grade 2
P0208.040-025-T2	M 4	8	0.9	2.5	1.5	25	0.20	2.0	1.10	titanium grade 2
P0208.050-006-T2	M 5	9	1.0	3.0	1.8	6	0.20	2.5	2.20	titanium grade 2
P0208.050-008-T2	M 5	9	1.0	3.0	1.8	8	0.20	2.5	2.20	titanium grade 2
P0208.050-010-T2	M 5	9	1.0	3.0	1.8	10	0.20	2.5	2.20	titanium grade 2
P0208.050-012-T2	M 5	9	1.0	3.0	1.8	12	0.20	2.5	2.20	titanium grade 2
P0208.050-016-T2	M 5	9	1.0	3.0	1.8	16	0.20	2.5	2.20	titanium grade 2
P0208.050-020-T2	M 5	9	1.0	3.0	1.8	20	0.20	2.5	2.20	titanium grade 2
P0208.050-025-T2	M 5	9	1.0	3.0	1.8	25	0.20	2.5	2.20	titanium grade 2
P0208.060-008-T2	M 6	10	1.2	4.0	2.2	8	0.25	3.0	5.00	titanium grade 2



STANDARD SCREWS

Order No.	d ₁	d ₂	h ₁	h ₂ max.	h ₃ max.	l ₁	r ₁ min.	A/F	Torque to Nm max.	Material grade
P0208.060-010-T2	M 6	10	1.2	4.0	2.2	10	0.25	3.0	5.00	titanium grade 2
P0208.060-012-T2	M 6	10	1.2	4.0	2.2	12	0.25	3.0	5.00	titanium grade 2
P0208.060-016-T2	M 6	10	1.2	4.0	2.2	16	0.25	3.0	5.00	titanium grade 2
P0208.060-020-T2	M 6	10	1.2	4.0	2.2	20	0.25	3.0	5.00	titanium grade 2
P0208.060-025-T2	M 6	10	1.2	4.0	2.2	25	0.25	3.0	5.00	titanium grade 2
P0208.020-003-T5	M 2	4	0.5	1.2	1.2	3	0.10	1.3	0.16	titanium grade 5
P0208.020-004-T5	M 2	4	0.5	1.2	1.2	4	0.10	1.3	0.16	titanium grade 5
P0208.020-005-T5	M 2	4	0.5	1.2	1.2	5	0.10	1.3	0.16	titanium grade 5
P0208.020-006-T5	M 2	4	0.5	1.2	1.2	6	0.10	1.3	0.16	titanium grade 5
P0208.020-008-T5	M 2	4	0.5	1.2	1.2	8	0.10	1.3	0.16	titanium grade 5
P0208.020-010-T5	M 2	4	0.5	1.2	1.2	10	0.10	1.3	0.16	titanium grade 5
P0208.025-003-T5	M 2,5	5	0.6	1.5	1.2	3	0.10	1.3	0.35	titanium grade 5
P0208.025-004-T5	M 2,5	5	0.6	1.5	1.2	4	0.10	1.3	0.35	titanium grade 5
P0208.025-005-T5	M 2,5	5	0.6	1.5	1.2	5	0.10	1.3	0.35	titanium grade 5
P0208.025-006-T5	M 2,5	5	0.6	1.5	1.2	6	0.10	1.3	0.35	titanium grade 5
P0208.030-005-T5	M 3	6	0.8	2.0	1.4	5	0.10	1.5	0.60	titanium grade 5
P0208.030-006-T5	M 3	6	0.8	2.0	1.4	6	0.10	1.5	0.60	titanium grade 5
P0208.030-008-T5	M 3	6	0.8	2.0	1.4	8	0.10	1.5	0.60	titanium grade 5
P0208.030-010-T5	M 3	6	0.8	2.0	1.4	10	0.10	1.5	0.60	titanium grade 5
P0208.030-012-T5	M 3	6	0.8	2.0	1.4	12	0.10	1.5	0.60	titanium grade 5
P0208.030-016-T5	M 3	6	0.8	2.0	1.4	16	0.10	1.5	0.60	titanium grade 5
P0208.040-005-T5	M 4	8	0.9	2.5	1.5	5	0.20	2.0	1.10	titanium grade 5
P0208.040-006-T5	M 4	8	0.9	2.5	1.5	6	0.20	2.0	1.10	titanium grade 5
P0208.040-008-T5	M 4	8	0.9	2.5	1.5	8	0.20	2.0	1.10	titanium grade 5
P0208.040-010-T5	M 4	8	0.9	2.5	1.5	10	0.20	2.0	1.10	titanium grade 5
P0208.040-012-T5	M 4	8	0.9	2.5	1.5	12	0.20	2.0	1.10	titanium grade 5
P0208.040-016-T5	M 4	8	0.9	2.5	1.5	16	0.20	2.0	1.10	titanium grade 5
P0208.040-020-T5	M 4	8	0.9	2.5	1.5	20	0.20	2.0	1.10	titanium grade 5
P0208.040-025-T5	M 4	8	0.9	2.5	1.5	25	0.20	2.0	1.10	titanium grade 5
P0208.050-006-T5	M 5	9	1.0	3.0	1.8	6	0.20	2.5	2.20	titanium grade 5
P0208.050-008-T5	M 5	9	1.0	3.0	1.8	8	0.20	2.5	2.20	titanium grade 5
P0208.050-010-T5	M 5	9	1.0	3.0	1.8	10	0.20	2.5	2.20	titanium grade 5
P0208.050-012-T5	M 5	9	1.0	3.0	1.8	12	0.20	2.5	2.20	titanium grade 5
P0208.050-016-T5	M 5	9	1.0	3.0	1.8	16	0.20	2.5	2.20	titanium grade 5
P0208.050-020-T5	M 5	9	1.0	3.0	1.8	20	0.20	2.5	2.20	titanium grade 5
P0208.050-025-T5	M 5	9	1.0	3.0	1.8	25	0.20	2.5	2.20	titanium grade 5
P0208.060-008-T5	M 6	10	1.2	4.0	2.2	8	0.25	3.0	5.00	titanium grade 5
P0208.060-010-T5	M 6	10	1.2	4.0	2.2	10	0.25	3.0	5.00	titanium grade 5
P0208.060-012-T5	M 6	10	1.2	4.0	2.2	12	0.25	3.0	5.00	titanium grade 5
P0208.060-016-T5	M 6	10	1.2	4.0	2.2	16	0.25	3.0	5.00	titanium grade 5
P0208.060-020-T5	M 6	10	1.2	4.0	2.2	20	0.25	3.0	5.00	titanium grade 5
P0208.060-025-T5	M 6	10	1.2	4.0	2.2	25	0.25	3.0	5.00	titanium grade 5