



# Ultra Low Head Cap Screws

hex. drive - 303 series stainless

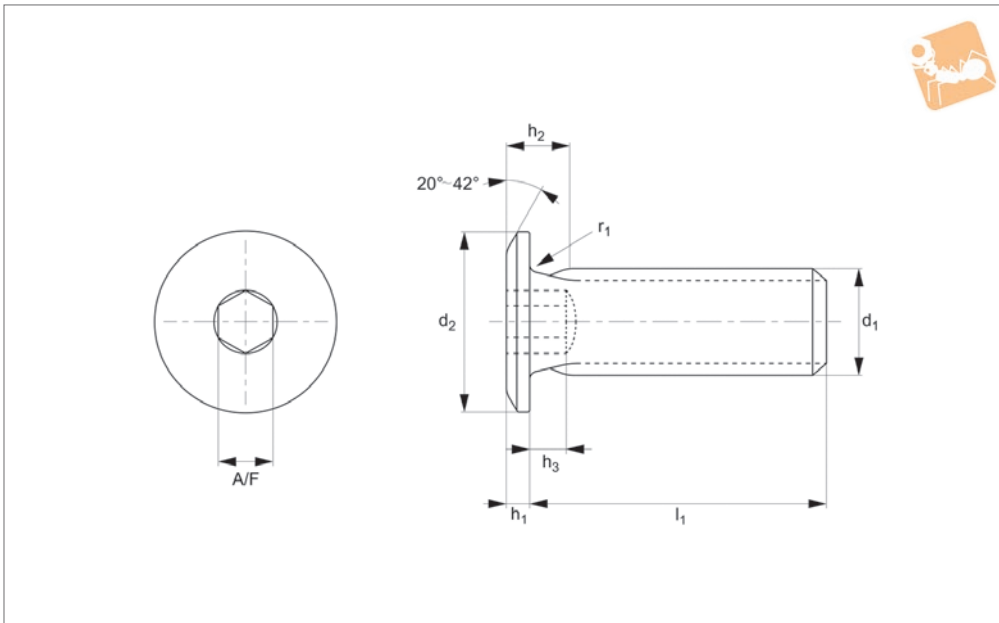
Standard Screws



**P0208.A2**

MADE IN BRITAIN

STANDARD SCREWS



### Material

Stainless steel (AISI 303, 1.4305).  
Tensile strength ~350N/mm<sup>2</sup>  
(except for M2 ~200N/mm<sup>2</sup>).

### Technical Notes

The ultra low head is extremely low profile.  
These screws do not require a countersunk  
location hole. Most suitable for machine

and equipment applications with minimal  
clearance.

Order No.	d <sub>1</sub>	d <sub>2</sub>	h <sub>1</sub>	h <sub>2</sub> max.	h <sub>3</sub> max.	l <sub>1</sub>	r <sub>1</sub> min.	A/F	Torque to Nm max.
P0208.020-003-A2	M 2	4	0.5	1.2	1.2	3	0.10	1.3	0.16
P0208.020-004-A2	M 2	4	0.5	1.2	1.2	4	0.10	1.3	0.16
P0208.020-005-A2	M 2	4	0.5	1.2	1.2	5	0.10	1.3	0.16
P0208.020-006-A2	M 2	4	0.5	1.2	1.2	6	0.10	1.3	0.16
P0208.020-008-A2	M 2	4	0.5	1.2	1.2	8	0.10	1.3	0.16
P0208.020-010-A2	M 2	4	0.5	1.2	1.2	10	0.10	1.3	0.16
P0208.025-003-A2	M 2,5	5	0.6	1.5	1.2	3	0.10	1.3	0.35
P0208.025-004-A2	M 2,5	5	0.6	1.5	1.2	4	0.10	1.3	0.35
P0208.025-005-A2	M 2,5	5	0.6	1.5	1.2	5	0.10	1.3	0.35
P0208.025-006-A2	M 2,5	5	0.6	1.5	1.2	6	0.10	1.3	0.35
P0208.030-005-A2	M 3	6	0.8	2.0	1.4	5	0.10	1.5	0.60
P0208.030-006-A2	M 3	6	0.8	2.0	1.4	6	0.10	1.5	0.60
P0208.030-008-A2	M 3	6	0.8	2.0	1.4	8	0.10	1.5	0.60
P0208.030-010-A2	M 3	6	0.8	2.0	1.4	10	0.10	1.5	0.60
P0208.030-012-A2	M 3	6	0.8	2.0	1.4	12	0.10	1.5	0.60
P0208.030-016-A2	M 3	6	0.8	2.0	1.4	16	0.10	1.5	0.60
P0208.040-005-A2	M 4	8	0.9	2.5	1.5	5	0.20	2.0	1.10
P0208.040-006-A2	M 4	8	0.9	2.5	1.5	6	0.20	2.0	1.10
P0208.040-008-A2	M 4	8	0.9	2.5	1.5	8	0.20	2.0	1.10
P0208.040-010-A2	M 4	8	0.9	2.5	1.5	10	0.20	2.0	1.10
P0208.040-012-A2	M 4	8	0.9	2.5	1.5	12	0.20	2.0	1.10
P0208.040-016-A2	M 4	8	0.9	2.5	1.5	16	0.20	2.0	1.10
P0208.040-020-A2	M 4	8	0.9	2.5	1.5	20	0.20	2.0	1.10
P0208.040-025-A2	M 4	8	0.9	2.5	1.5	25	0.20	2.0	1.10
P0208.050-006-A2	M 5	9	1.0	3.0	1.8	6	0.20	2.5	2.20
P0208.050-008-A2	M 5	9	1.0	3.0	1.8	8	0.20	2.5	2.20
P0208.050-010-A2	M 5	9	1.0	3.0	1.8	10	0.20	2.5	2.20
P0208.050-012-A2	M 5	9	1.0	3.0	1.8	12	0.20	2.5	2.20
P0208.050-016-A2	M 5	9	1.0	3.0	1.8	16	0.20	2.5	2.20
P0208.050-020-A2	M 5	9	1.0	3.0	1.8	20	0.20	2.5	2.20
P0208.050-025-A2	M 5	9	1.0	3.0	1.8	25	0.20	2.5	2.20
P0208.060-008-A2	M 6	10	1.2	4.0	2.2	8	0.25	3.0	5.00
P0208.060-010-A2	M 6	10	1.2	4.0	2.2	10	0.25	3.0	5.00



Order No.	d <sub>1</sub>	d <sub>2</sub>	h <sub>1</sub>	h <sub>2</sub> max.	h <sub>3</sub> max.	l <sub>1</sub>	r <sub>1</sub> min.	A/F	Torque to Nm max.
P0208.060-012-A2	M 6	10	1.2	4.0	2.2	12	0.25	3.0	5.00
P0208.060-016-A2	M 6	10	1.2	4.0	2.2	16	0.25	3.0	5.00
P0208.060-020-A2	M 6	10	1.2	4.0	2.2	20	0.25	3.0	5.00
P0208.060-025-A2	M 6	10	1.2	4.0	2.2	25	0.25	3.0	5.00