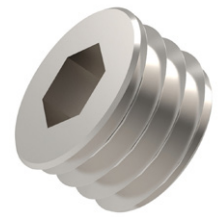




Blanking Plugs - Dry Seal

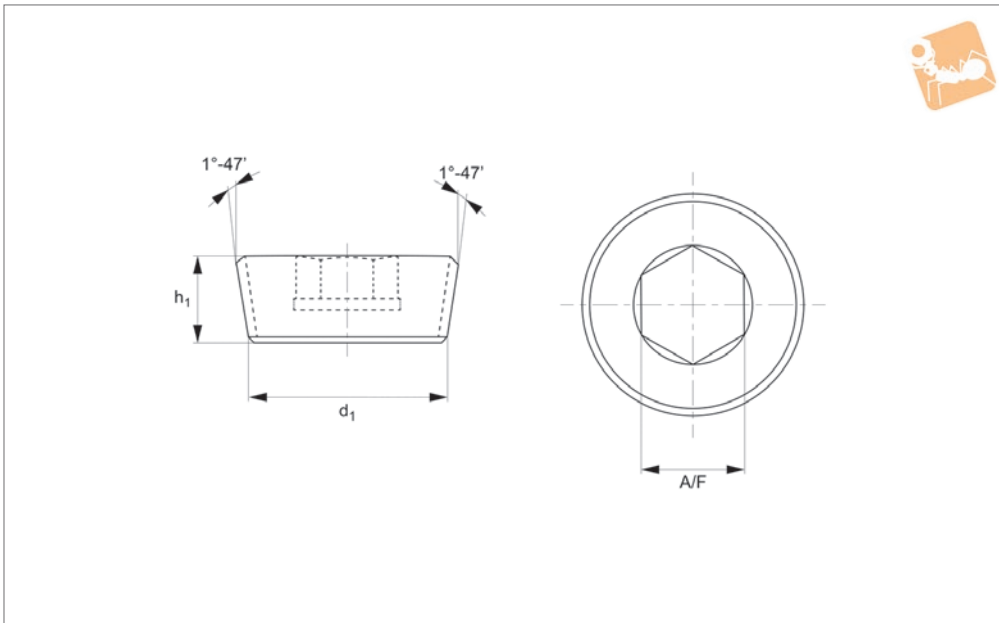
NPT and NPTF

Blanking Plugs



P0184.NPT

BLANKING PLUGS



Material

Steel (hardened or self-colour) and stainless steel (A4)

Technical Notes

To DIN 906. NPT (National Pipe Thread Taper) and NPTF (National Pipe Taper Fuel). The NPTF dry seal versions fit holes that are not as accurately tapped. Tightening torque is dependent on fluid, pressure, temperature, and material pairing.

Tips

NPTF threads will screw together with NPT threads and should have no noticeable assembly problem. There will most likely be an interference fit between the root and crest on either the major or minor diameter of the thread, depending on which part is NPTF. To accomplish a seal on the joint, a sealant will be required. NPTF threads are designed to screw together. They are designed to have interference at the roots and crests of the

threads on both the major and minor diameters. This interference should cause no assembly problem. The thread deformation caused by the interference fit and the wrench tightening is designed to make a dry mechanical seal.

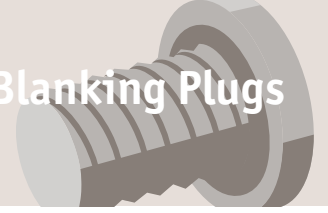
Important Notes

For level of flush type plug see part P0184.NL.

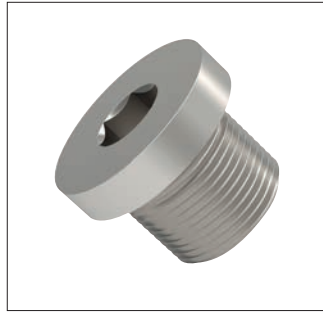
Order No.	d ₁	tpi	d ₁ max.	l ₁ nom.	A/F	Material
P0184.NPT1/16-A4	NPT1/16"	27.0	8.08	7.92	5/32	A4 s/s
P0184.NPT1/8-A4	NPT 1/8"	27.0	10.40	7.92	3/16	A4 s/s
P0184.NPT1/4-A4	NPT 1/4"	18.0	13.80	11.10	1/4	A4 s/s
P0184.NPT3/8-A4	NPT 3/8"	18.0	17.40	12.70	5/16	A4 s/s
P0184.NPT1/2-A4	NPT 1/2"	14.0	21.10	15.90	3/8	A4 s/s
P0184.NPT3/4-A4	NPT 3/4"	14.0	26.90	19.00	1/4	A4 s/s
P0184.NPT1-A4	NPT 1"	11.5	33.90	20.60	1/2	A4 s/s
P0184.NPT1-1/4-A4	NPT 1-1/4"	11.5	33.90	20.60	1/2	A4 s/s
P0184.NPT1/16-SC	NPT1/16"	27.0	8.08	7.92	5/32	Steel SC
P0184.NPT1/8-SC	NPT1/8"	27.0	10.40	7.92	3/16	Steel SC
P0184.NPT1/4-SC	NPT1/4"	18.0	13.80	11.10	1/4	Steel SC
P0184.NPT3/8-SC	NPT3/8"	18.0	17.40	12.70	5/16	Steel SC
P0184.NPT1/2-SC	NPT1/2"	14.0	21.50	15.90	3/8	Steel SC
P0184.NPT5/8-SC	NPT5/8"	14.0	21.50	15.90	3/8	Steel SC
P0184.NPT3/4-SC	NPT3/4"	14.0	26.90	19.00	1/4	Steel SC
P0184.NPT1-SC	NPT1"	11.5	33.90	20.60	1/2	Steel SC
P0184.NPT1-1/4-SC	NPT1 1/4"	11.5	42.60	20.60	3/4	Steel SC
P0184.NPT1-1/2-SC	NPT1 1/2"	11.5	48.70	20.60	1	Steel SC
P0184.NPT2-SC	NPT2"	11.5	48.70	20.60	1	Steel SC
P0184.NPTF1/16-HS	NPTF1/16"	27.0	8.08	7.92	5/32	Hardened steel
P0184.NPTF1/8-HS	NPTF1/8"	27.0	10.40	7.92	3/16	Hardened steel
P0184.NPTF1/4-HS	NPTF1/4"	18.0	13.80	11.10	1/4	Hardened steel
P0184.NPTF3/8-HS	NPTF3/8"	18.0	17.40	12.70	5/16	Hardened steel
P0184.NPTF1/2-HS	NPTF1/2"	14.0	21.50	14.30	3/8	Hardened steel



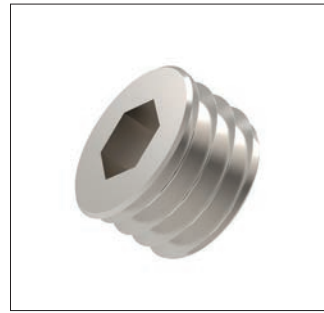
Order No.	d ₁	tpi	d ₁ max.	l ₁ nom.	A/F	Material
P0184.NPTF3/4-HS	NPTF3/4"	14.0	26.90	15.90	1/8	Hardened steel
P0184.NPTF1-HS	NPTF1"	11.5	33.90	19.00	1/2	Hardened steel



P0182
Hex head screw blanking plugs
DIN 910



P0183
Hex socket screw blanking plugs
DIN 908



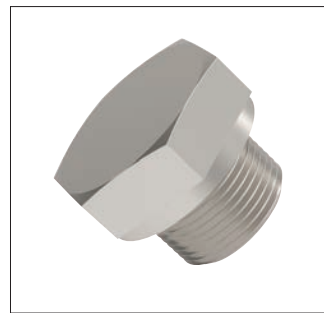
P0184
Hex socket taper blanking plugs
DIN 906



P0184.NPT
Hex socket blanking plugs NPT
and NPTF dry seal



P0184.NL
Hex socket blanking plugs level
seal



P0187
Hexagon blanking plugs DIN
7604 A

Threads

Blanking plugs come with either metric or inch threads. Most metric threads are fine threads (to DIN 13).

Inch threads come in four types:

G indicates BSPP British Standard pipe parallel (to ISO 288)

R indicates BSPT British Standard pipe taper (to ISO 7)

NPT indicates National Standard pipe taper (to ANSI B1.20.1)

NPTF indicates National Standard pipe taper fuel dry seal (to ANSI B1.20.3)

NL indicates National Standard pipe taper fuel level seal (to ANSI B1.20.3)

Materials

Blanking Plugs are available in three material types:

Steel (untreated or zinc plated)

Stainless steel (A2, AISI 303 and A4, AISI 316)

Brass

Options: with built-in magnet or with NBR seal and O Ring.

NPT and NPTF pipe threads

The two most common US standard taper pipe threads used are National Pipe Taper (NPT) and National Pipe Taper Fuel (NPTF). Applications range from electrical conduits and hand railings to high-pressure pipe lines that carry gas or caustic fluids. NPT threads are for mechanical or low-pressure air or fluid applications and often require the use of sealing compounds like Teflon tape, to provide the seal.

When the application is more critical, and the sealing compound may fail due to high heat or pressure, NPTF Dryseal threads are used. This mechanical seal is produced by the mating and slight crushing of the threads when a wrench is applied to tighten the fittings.