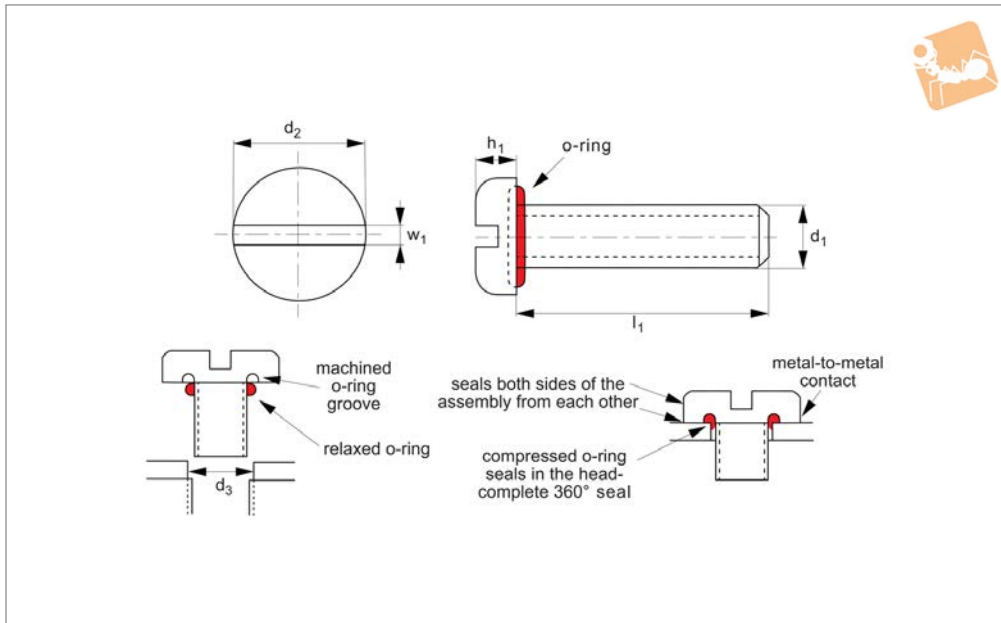




# Pan Head Seal Screws - Inch slotted

## Sealing Screws and Plugs



**P0171.i**

SEALING SCREWS AND PLUGS

### Material

Stainless steel (AISI 303 1.4305 tensile strength 550 N/mm<sup>2</sup> or AISI 316 1.440 tensile strength 480 N/mm<sup>2</sup>), with silicone „O“ ring as standard.  
For other „O“ ring materials see technical data pages (-FS = fluorosilicone, -EP = EPDM, -VI = viton, -NI = nitrile, -BN = Buna etc.).

Other thread lengths, and stainless steel A4 (AISI 316) on request.

### Technical Notes

Seals substances in and contaminants out, clearance holes recommended for maximum sealing.  
Max temperature range: -100°C to +260°C, pressure range - up to 410 bar (6000 psi).

Re-usable, also available (on request) with thread-locking.

### Tips

Clearance holes recommended for maximum sealing performance (see dimensions below).  
Clearance hole depth 2-3 x thread pitch, threads are inch UNC.

Order No.	d <sub>1</sub>	l <sub>1</sub>	h <sub>1</sub>	d <sub>2</sub> max.	d <sub>3</sub> +0.05
P0171.I02-025-SI	#2-56	1/4"	1.40	4.32	2.464
P0171.I02-037-SI	#2-56	3/8"	1.40	4.32	2.464
P0171.I02-050-SI	#2-56	1/2"	1.40	4.32	2.464
P0171.I02-063-SI	#2-56	5/8"	1.40	4.32	2.464
P0171.I04-025-SI	#4-40	1/4"	1.75	5.84	3.226
P0171.I04-050-SI	#4-40	1/2"	1.75	5.84	3.226
P0171.I04-075-SI	#4-40	3/4"	1.75	5.84	3.226
P0171.I04-100-SI	#4-40	1"	1.75	5.84	3.226
P0171.I06-025-SI	#6-32	1/4"	2.11	6.86	3.810
P0171.I06-050-SI	#6-32	1/2"	2.11	6.86	3.810
P0171.I06-075-SI	#6-32	3/4"	2.11	6.86	3.810
P0171.I06-100-SI	#6-32	1"	2.11	6.86	3.810
P0171.I08-025-SI	#8-32	1/4"	2.46	8.38	4.445
P0171.I08-050-SI	#8-32	1/2"	2.46	8.38	4.445
P0171.I08-075-SI	#8-32	3/4"	2.46	8.38	4.445
P0171.I08-100-SI	#8-32	1"	2.46	8.38	4.445
P0171.I10-037-SI	#10-24	3/8"	2.87	9.40	5.131
P0171.I10-050-SI	#10-24	1/2"	2.87	9.40	5.131
P0171.I10-075-SI	#10-24	3/4"	2.87	9.40	5.131
P0171.I10-100-SI	#10-24	1"	2.87	9.40	5.131
P0171.I11-037-SI	#10-32	3/8"	2.87	9.40	5.131
P0171.I11-050-SI	#10-32	1/2"	2.87	9.40	5.131
P0171.I11-075-SI	#10-32	3/4"	2.87	9.40	5.131
P0171.I11-100-SI	#10-32	1"	2.87	9.40	5.131
P0171.I12-125-SI	1/4-20	1/4"	3.76	12.45	6.682
P0171.I12-037-SI	1/4-20	3/8"	3.76	12.45	6.682
P0171.I12-050-SI	1/4-20	1/2"	3.76	12.45	6.682
P0171.I12-075-SI	1/4-20	3/4"	3.76	12.45	6.682



Order No.	$d_1$	$l_1$	$h_1$	$d_2$ max.	$d_3$ +0.05
P0171.I12-100-SI	1/4-20	1"	3.76	12.45	6.682
P0171.I12-025-SI	1/4-20	1/4"	3.76	12.45	6.682