

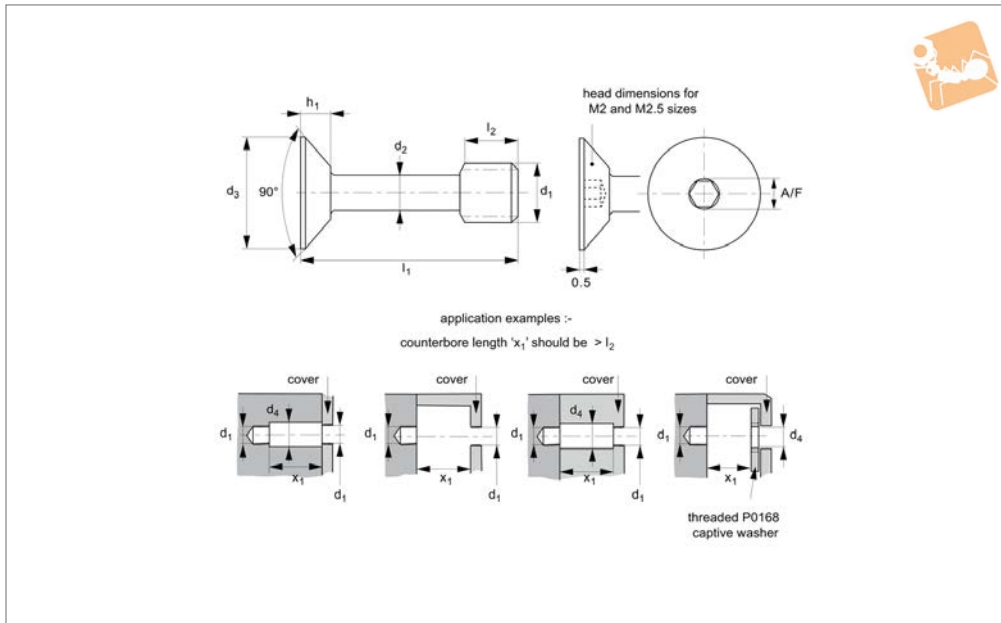


Captive Screws - Countersunk

hex drive - 316 stainless



Captive Screws



P0153.A4

CAPTIVE SCREWS

Material

Stainless steel (AISI 316, 1.440).
Tensile strength 480 N/mm². Proof stress min. 200 N/mm², austenitic stainless steel.
Also available on request in steel (anodised, black oxide or zinc plated), brass, aluminium etc.

Technical Notes

Used to comply with the Machinery Direc-

tive 2006/42/EC. Often used with our captive washers (P0168) or retaining flanges (P0169 - for sheet metal applications). The use of our captive washers should be considered when fitted in panels with unthreaded holes.

Important Notes

Please note that these screws have a reduced diameter shank and should not be

tightened to the recommended torque for an equivalent machine screw of size d₁. To accommodate the slight undercut at the top of the shank, the hex socket is smaller than on a similar threaded machine screw.

Order No.	d ₁	l ₁ ±0.25	d ₂ ±0.12	d ₃ max.	d ₄ min.	h ₁ max.	l ₂ ±0.25	A/F
P0153.020-010-A4	M 2	10	1.2	3.8	2.5	1.20	3.5	1.0
P0153.020-012-A4	M 2	12	1.2	3.8	2.5	1.20	3.5	1.0
P0153.020-016-A4	M 2	16	1.2	3.8	2.5	1.20	3.5	1.0
P0153.020-020-A4	M 2	20	1.2	3.8	2.5	1.20	3.5	1.0
P0153.025-010-A4	M 2,5	10	1.7	4.7	2.8	1.80	3.7	1.3
P0153.025-012-A4	M 2,5	12	1.7	4.7	2.8	1.80	3.7	1.3
P0153.025-016-A4	M 2,5	16	1.7	4.7	2.8	1.80	3.7	1.3
P0153.025-020-A4	M 2,5	20	1.7	4.7	2.8	1.80	3.7	1.3
P0153.030-008-A4	M 3	8	2.0	5.6	3.5	1.65	4.5	1.5
P0153.030-010-A4	M 3	10	2.0	5.6	3.5	1.65	4.5	1.5
P0153.030-012-A4	M 3	12	2.0	5.6	3.5	1.65	4.5	1.5
P0153.030-016-A4	M 3	16	2.0	5.6	3.5	1.65	4.5	1.5
P0153.030-020-A4	M 3	20	2.0	5.6	3.5	1.65	4.5	1.5
P0153.030-025-A4	M 3	25	2.0	5.6	3.5	1.65	4.5	1.5
P0153.030-030-A4	M 3	30	2.0	5.6	3.5	1.65	4.5	1.5
P0153.030-035-A4	M 3	35	2.0	5.6	3.5	1.65	4.5	1.5
P0153.030-040-A4	M 3	40	2.0	5.6	3.5	1.65	4.5	1.5
P0153.040-010-A4	M 4	10	2.8	7.5	4.5	2.20	6.0	2.0
P0153.040-012-A4	M 4	12	2.8	7.5	4.5	2.20	6.0	2.0
P0153.040-014-A4	M 4	14	2.8	7.5	4.5	2.20	6.0	2.0
P0153.040-016-A4	M 4	16	2.8	7.5	4.5	2.20	6.0	2.0
P0153.040-020-A4	M 4	20	2.8	7.5	4.5	2.20	6.0	2.0
P0153.040-025-A4	M 4	25	2.8	7.5	4.5	2.20	6.0	2.0
P0153.040-030-A4	M 4	30	2.8	7.5	4.5	2.20	6.0	2.0
P0153.040-035-A4	M 4	35	2.8	7.5	4.5	2.20	6.0	2.0
P0153.040-040-A4	M 4	40	2.8	7.5	4.5	2.20	6.0	2.0
P0153.040-050-A4	M 4	50	2.8	7.5	4.5	2.20	6.0	2.0
P0153.040-060-A4	M 4	60	2.8	7.5	4.5	2.20	6.0	2.0



Order No.	d ₁	l ₁ ±0.25	d ₂ ±0.12	d ₃ max.	d ₄ min.	h ₁ max.	l ₂ ±0.25	A/F
P0153.050-012-A4	M 5	12	3.7	9.2	5.5	2.50	7.5	2.5
P0153.050-014-A4	M 5	12	3.7	9.2	5.5	2.50	7.5	2.5
P0153.050-016-A4	M 5	16	3.7	9.2	5.5	2.50	7.5	2.5
P0153.050-020-A4	M 5	20	3.7	9.2	5.5	2.50	7.5	2.5
P0153.050-025-A4	M 5	25	3.7	9.2	5.5	2.50	7.5	2.5
P0153.050-030-A4	M 5	30	3.7	9.2	5.5	2.50	7.5	2.5
P0153.050-035-A4	M 5	35	3.7	9.2	5.5	2.50	7.5	2.5
P0153.050-040-A4	M 5	40	3.7	9.2	5.5	2.50	7.5	2.5
P0153.050-050-A4	M 5	50	3.7	9.2	5.5	2.50	7.5	2.5
P0153.050-060-A4	M 5	60	3.7	9.2	5.5	2.50	7.5	2.5
P0153.060-016-A4	M 6	16	4.2	11.0	6.5	3.00	8.0	3.0
P0153.060-020-A4	M 6	20	4.2	11.0	6.5	3.00	8.0	3.0
P0153.060-025-A4	M 6	25	4.2	11.0	6.5	3.00	8.0	3.0
P0153.060-030-A4	M 6	30	4.2	11.0	6.5	3.00	8.0	3.0
P0153.060-035-A4	M 6	35	4.2	11.0	6.5	3.00	8.0	3.0
P0153.060-040-A4	M 6	40	4.2	11.0	6.5	3.00	8.0	3.0
P0153.060-050-A4	M 6	50	4.2	11.0	6.5	3.00	8.0	3.0
P0153.060-060-A4	M 6	60	4.2	11.0	6.5	3.00	8.0	3.0
P0153.080-020-A4	M 8	20	6.0	15.0	8.5	4.10	10.0	4.0
P0153.080-025-A4	M 8	25	6.0	15.0	8.5	4.10	10.0	4.0
P0153.080-030-A4	M 8	30	6.0	15.0	8.5	4.10	10.0	4.0
P0153.080-040-A4	M 8	40	6.0	15.0	8.5	4.10	10.0	4.0
P0153.080-050-A4	M 8	50	6.0	15.0	8.5	4.10	10.0	4.0
P0153.080-060-A4	M 8	60	6.0	15.0	8.5	4.10	10.0	4.0