



# Vented Shoulder Screws - Cap Head

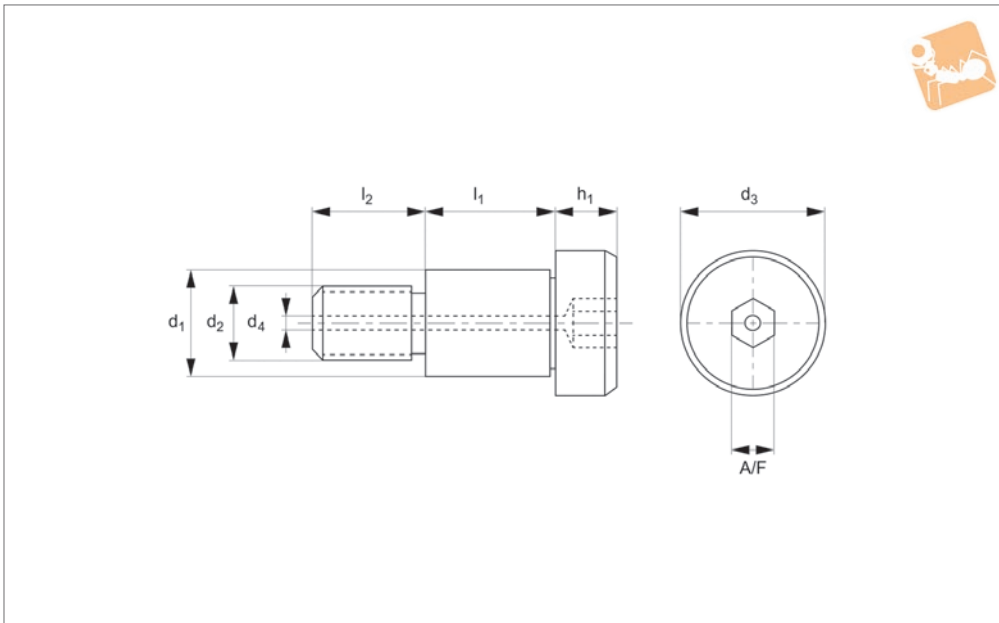
hex. drive - 316 stainless

Vented Screws



**P0098.A4**

VENTED SCREWS



### Material

Stainless steel (AISI 316, 1.4401), strength class 60.  
Ultrasonically cleaned.

### Technical Notes

Other sizes available on request.

### Tips

These products help eliminate virtual leaks from high vacuum (HV and UHV) systems, thereby improving pump-down times. Trapped gases at the bottom of a tapped hole are able to escape via the central vent

down the middle of the screw.

Order No.	$l_1$ +0.05 -0.0	$d_1$ +0 -0.025	$d_2$	$d_3$	$d_4$	$h_1$	$l_2$	A/F
P0098.030-010-A4	10	3	M 2	5.0	0.7	2.0	4.0	2
P0098.030-016-A4	16	3	M 2	5.0	0.7	2.0	4.0	2
P0098.030-020-A4	20	3	M 2	5.0	0.7	2.0	4.0	2
P0098.040-004-A4	4	4	M 3	6.0	1.0	3.0	4.0	2
P0098.040-005-A4	5	4	M 3	6.0	1.0	3.0	4.0	2
P0098.040-006-A4	6	4	M 3	6.0	1.0	3.0	4.0	2
P0098.040-008-A4	8	4	M 3	6.0	1.0	3.0	4.0	2
P0098.040-010-A4	10	4	M 3	6.0	1.0	3.0	4.0	2
P0098.040-012-A4	12	4	M 3	6.0	1.0	3.0	4.0	2
P0098.040-016-A4	16	4	M 3	6.0	1.0	3.0	4.0	2
P0098.040-020-A4	20	4	M 3	6.0	1.0	3.0	4.0	2
P0098.040-035-A4	35	4	M 3	6.0	1.0	3.0	4.0	2
P0098.050-004-A4	4	5	M 4	8.0	1.0	4.0	5.0	3
P0098.050-005-A4	5	5	M 4	8.0	1.0	4.0	5.0	3
P0098.050-006-A4	6	5	M 4	8.0	1.0	4.0	5.0	3
P0098.050-007-A4	7	5	M 4	8.0	1.0	4.0	5.0	3
P0098.050-008-A4	8	5	M 4	8.0	1.0	4.0	5.0	3
P0098.050-010-A4	10	5	M 4	8.0	1.0	4.0	5.0	3
P0098.050-012-A4	12	5	M 4	8.0	1.0	4.0	5.0	3
P0098.050-014-A4	14	5	M 4	8.0	1.0	4.0	5.0	3
P0098.050-016-A4	16	5	M 4	8.0	1.0	4.0	5.0	3
P0098.050-020-A4	20	5	M 4	8.0	1.0	4.0	5.0	3
P0098.050-025-A4	25	5	M 4	8.0	1.0	4.0	5.0	3
P0098.050-030-A4	30	5	M 4	8.0	1.0	4.0	5.0	3
P0098.060-004-A4	4	6	M 5	10.0	1.3	5.0	6.0	3
P0098.060-005-A4	5	6	M 5	10.0	1.3	5.0	6.0	3
P0098.060-006-A4	6	6	M 5	10.0	1.3	5.0	6.0	3
P0098.060-008-A4	8	6	M 5	10.0	1.3	5.0	6.0	3
P0098.060-010-A4	10	6	M 5	10.0	1.3	5.0	6.0	3
P0098.060-012-A4	12	6	M 5	10.0	1.3	5.0	6.0	3
P0098.060-014-A4	14	6	M 5	10.0	1.3	5.0	6.0	3



VENTED SCREWS

Order No.	$l_1$ +0.05 -0.0	$d_1$ +0 -0.025	$d_2$	$d_3$	$d_4$	$h_1$	$l_2$	A/F
P0098.060-020-A4	20	6	M 5	10.0	1.3	5.0	6.0	3
P0098.060-025-A4	25	6	M 5	10.0	1.3	5.0	6.0	3
P0098.060-030-A4	30	6	M 5	10.0	1.3	5.0	6.0	3
P0098.080-005-A4	5	8	M 6	12.0	1.6	6.0	11.0	4
P0098.080-006-A4	6	8	M 6	12.0	1.6	6.0	11.0	4
P0098.080-008-A4	8	8	M 6	12.0	1.6	6.0	11.0	4
P0098.080-010-A4	10	8	M 6	12.0	1.6	6.0	11.0	4
P0098.080-012-A4	12	8	M 6	12.0	1.6	6.0	11.0	4
P0098.080-014-A4	14	8	M 6	12.0	1.6	6.0	11.0	4
P0098.080-016-A4	16	8	M 6	12.0	1.6	6.0	11.0	4
P0098.080-020-A4	20	8	M 6	12.0	1.6	6.0	11.0	4
P0098.080-025-A4	25	8	M 6	12.0	1.6	6.0	11.0	4
P0098.080-045-A4	45	8	M 6	12.0	1.6	6.0	11.0	4
P0098.100-008-A4	8	10	M 8	14.0	1.8	7.0	12.0	5
P0098.100-010-A4	10	10	M 8	14.0	1.8	7.0	12.0	5
P0098.100-012-A4	12	10	M 8	14.0	1.8	7.0	12.0	5
P0098.100-016-A4	16	10	M 8	14.0	1.8	7.0	12.0	5
P0098.100-020-A4	20	10	M 8	14.0	1.8	7.0	12.0	5
P0098.100-030-A4	30	10	M 8	14.0	1.8	7.0	12.0	5
P0098.120-012-A4	12	12	M10	20.0	1.8	8.0	12.0	6
P0098.120-025-A4	25	12	M10	20.0	1.8	8.0	12.0	6
P0098.160-100-A4	100	16	M12	24.0	1.8	11.0	12.0	8