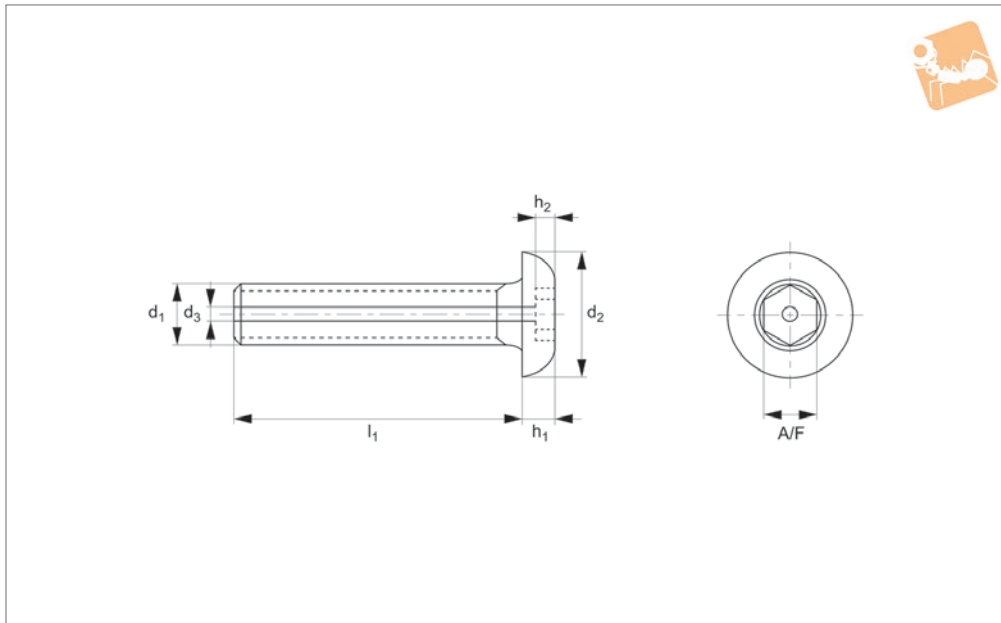




Vented Screws - Socket Button Head

hex. drive - 316 stainless

Vented Screws



P0094.A4

VENTED SCREWS

Material

Stainless steel (AISI 316, 1.4401), strength class 50.
Ultrasonically cleaned.

Technical Notes

To ISO 7380 (with central vent). Other

sizes available on request.

Tips

These products help eliminate virtual leaks from high vacuum (HV and UHV) systems, thereby improving pump-down times. Trapped gases at the bottom of a tapped

hole are able to escape via the central vent down the middle of the screw.

Order No.	l_1	d_1	d_2	d_3	h_1	h_2	A/F
P0094.030-005-A4	5	M 3	5.7	1.0	1.7	1.0	2
P0094.030-006-A4	6	M 3	5.7	1.0	1.7	1.0	2
P0094.030-008-A4	8	M 3	5.7	1.0	1.7	1.0	2
P0094.030-010-A4	10	M 3	5.7	1.0	1.7	1.0	2
P0094.030-012-A4	12	M 3	5.7	1.0	1.7	1.0	2
P0094.030-016-A4	16	M 3	5.7	1.0	1.7	1.0	2
P0094.040-005-A4	5	M 4	7.6	1.0	2.2	1.3	3
P0094.040-006-A4	6	M 4	7.6	1.0	2.2	1.3	3
P0094.040-008-A4	8	M 4	7.6	1.0	2.2	1.3	3
P0094.040-010-A4	10	M 4	7.6	1.0	2.2	1.3	3
P0094.040-012-A4	12	M 4	7.6	1.0	2.2	1.3	3
P0094.040-016-A4	16	M 4	7.6	1.0	2.2	1.3	3
P0094.040-020-A4	20	M 4	7.6	1.0	2.2	1.3	3
P0094.040-025-A4	25	M 4	7.6	1.0	2.2	1.3	3
P0094.040-030-A4	30	M 4	7.6	1.0	2.2	1.3	3
P0094.040-035-A4	35	M 4	7.6	1.0	2.2	1.3	3
P0094.050-006-A4	6	M 5	9.5	1.3	2.8	1.6	3
P0094.050-008-A4	8	M 5	9.5	1.3	2.8	1.6	3
P0094.050-010-A4	10	M 5	9.5	1.3	2.8	1.6	3
P0094.050-012-A4	12	M 5	9.5	1.3	2.8	1.6	3
P0094.050-016-A4	16	M 5	9.5	1.3	2.8	1.6	3
P0094.050-020-A4	20	M 5	9.5	1.3	2.8	1.6	3
P0094.050-025-A4	25	M 5	9.5	1.3	2.8	1.6	3
P0094.050-030-A4	30	M 5	9.5	1.3	2.8	1.6	3
P0094.050-035-A4	35	M 5	9.5	1.3	2.8	1.6	3
P0094.050-040-A4	40	M 5	9.5	1.3	2.8	1.6	3
P0094.060-008-A4	8	M 6	10.5	1.6	3.3	2.1	4
P0094.060-010-A4	10	M 6	10.5	1.6	3.3	2.1	4
P0094.060-012-A4	12	M 6	10.5	1.6	3.3	2.1	4
P0094.060-016-A4	16	M 6	10.5	1.6	3.3	2.1	4
P0094.060-020-A4	20	M 6	10.5	1.6	3.3	2.1	4
P0094.060-025-A4	25	M 6	10.5	1.6	3.3	2.1	4



VENTED SCREWS

Order No.	l ₁	d ₁	d ₂	d ₃	h ₁	h ₂	A/F
P0094.060-030-A4	30	M 6	10.5	1.6	3.3	2.1	4
P0094.060-035-A4	35	M 6	10.5	1.6	3.3	2.1	4
P0094.060-040-A4	40	M 6	10.5	1.6	3.3	2.1	4
P0094.060-045-A4	45	M 6	10.5	1.6	3.3	2.1	4
P0094.060-050-A4	50	M 6	10.5	1.6	3.3	2.1	4
P0094.080-012-A4	12	M 8	14.0	1.8	4.4	2.6	5
P0094.080-016-A4	16	M 8	14.0	1.8	4.4	2.6	5
P0094.080-020-A4	20	M 8	14.0	1.8	4.4	2.6	5
P0094.080-025-A4	25	M 8	14.0	1.8	4.4	2.6	5
P0094.080-030-A4	30	M 8	14.0	1.8	4.4	2.6	5
P0094.080-035-A4	35	M 8	14.0	1.8	4.4	2.6	5
P0094.080-040-A4	40	M 8	14.0	1.8	4.4	2.6	5
P0094.080-045-A4	45	M 8	14.0	1.8	4.4	2.6	5
P0094.080-050-A4	50	M 8	14.0	1.8	4.4	2.6	5
P0094.080-060-A4	60	M 8	14.0	1.8	4.4	2.6	5
P0094.100-016-A4	16	M10	17.5	1.8	5.5	3.1	6
P0094.100-020-A4	20	M10	17.5	1.8	5.5	3.1	6
P0094.100-025-A4	25	M10	17.5	1.8	5.5	3.1	6
P0094.100-030-A4	30	M10	17.5	1.8	5.5	3.1	6
P0094.100-035-A4	35	M10	17.5	1.8	5.5	3.1	6
P0094.100-040-A4	40	M10	17.5	1.8	5.5	3.1	6
P0094.100-045-A4	45	M10	17.5	1.8	5.5	3.1	6
P0094.100-050-A4	50	M10	17.5	1.8	5.5	3.1	6
P0094.100-060-A4	60	M10	17.5	1.8	5.5	3.1	6
P0094.120-020-A4	20	M12	21.0	1.8	6.6	4.2	8
P0094.120-025-A4	25	M12	21.0	1.8	6.6	4.2	8
P0094.120-030-A4	30	M12	21.0	1.8	6.6	4.2	8
P0094.120-035-A4	35	M12	21.0	1.8	6.6	4.2	8
P0094.120-040-A4	40	M12	21.0	1.8	6.6	4.2	8
P0094.120-045-A4	45	M12	21.0	1.8	6.6	4.2	8
P0094.120-050-A4	50	M12	21.0	1.8	6.6	4.2	8
P0094.120-060-A4	60	M12	21.0	1.8	6.6	4.2	8