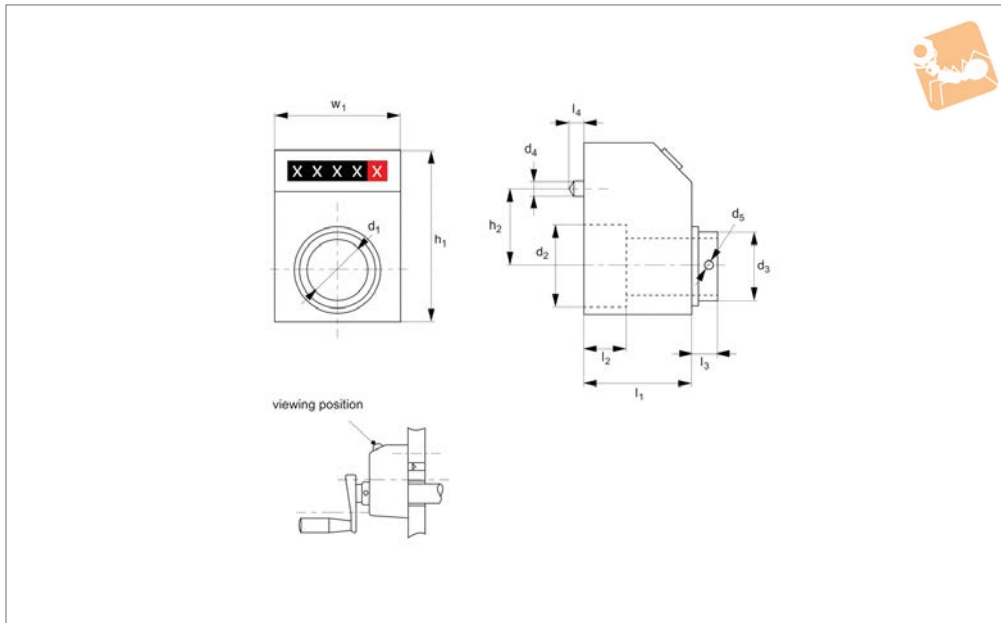




Position Counters

5 digit display

Lead Screws & Nuts



L1472

LEAD SCREWS & NUTS

Material

Black thermoplastic, burnished steel bushing.

Technical Notes

Max. temperature +70°C.

Other ratios and spacers available on request. Different location of position indicator on counter available on request. Five digit readout, red indicates decimals.

Tips

Clockwise rotation: part numbers end with -C.
Anti-Clockwise rotation: part numbers end with -A.

Order No.	Ratio	Pitch	Counter after one revolution	d ₁ tol. H7	d ₂	d ₃	d ₄	d ₅	l ₁
L1472.005-C	1:05	0.5	00005	20	40	27	6	M5	42
L1472.015-C	1:15	1.5	00015	20	40	27	6	M5	42
L1472.020-C	1:20	2.0	00020	20	40	27	6	M5	42
L1472.025-C	1:25	2.5	00025	20	40	27	6	M5	42
L1472.030-C	1:30	3.0	00030	20	40	27	6	M5	42
L1472.040-C	1:40	4.0	00040	20	40	27	6	M5	42
L1472.100-C	1:100	10.0	00100	20	40	27	6	M5	42
L1472.120-C	1:120	12.0	00120	20	40	27	6	M5	42
L1472.005-A	1:05	0.5	00005	20	40	27	6	M5	42
L1472.010-A	1:10	1.0	00010	20	40	27	6	M5	42
L1472.015-A	1:15	1.5	00015	20	40	27	6	M5	42
L1472.020-A	1:20	2.0	00020	20	40	27	6	M5	42
L1472.025-A	1:25	2.5	00025	20	40	27	6	M5	42
L1472.030-A	1:30	3.0	00030	20	40	27	6	M5	42
L1472.040-A	1:40	4.0	00040	20	40	27	6	M5	42
L1472.050-A	1:50	5.0	00050	20	40	27	6	M5	42
L1472.060-A	1:60	6.0	00060	20	40	27	6	M5	42
L1472.100-A	1:100	10.0	00100	20	40	27	6	M5	42
L1472.120-A	1:120	12.0	00120	20	40	27	6	M5	42

Order No.	l ₂	l ₃	l ₄	w ₁	h ₁	h ₂	Speed rpm max.	Revolution
L1472.005-C	16.5	10	6	49	67	30	500	Clockwise
L1472.015-C	16.5	10	6	49	67	30	300	Clockwise
L1472.020-C	16.5	10	6	49	67	30	300	Clockwise
L1472.025-C	16.5	10	6	49	67	30	300	Clockwise
L1472.030-C	16.5	10	6	49	67	30	300	Clockwise
L1472.040-C	16.5	10	6	49	67	30	200	Clockwise
L1472.100-C	16.5	10	6	49	67	30	150	Clockwise
L1472.120-C	16.5	10	6	49	67	30	150	Clockwise
L1472.005-A	16.5	10	6	49	67	30	500	Anti-clockwise



Order No.	l_2	l_3	l_4	w_1	h_1	h_2	Speed rpm max.	Revolution
L1472.010-A	16.5	10	6	49	67	30	300	Anti-clockwise
L1472.015-A	16.5	10	6	49	67	30	300	Anti-clockwise
L1472.020-A	16.5	10	6	49	67	30	300	Anti-clock wise
L1472.025-A	16.5	10	6	49	67	30	300	Anti-clockwise
L1472.030-A	16.5	10	6	49	67	30	300	Anti-clockwise
L1472.040-A	16.5	10	6	49	67	30	200	Anti-clockwise
L1472.050-A	16.5	10	6	49	67	30	200	Anti-clockwise
L1472.060-A	16.5	10	6	49	67	30	200	Anti-clockwise
L1472.100-A	16.5	10	6	49	67	30	150	Anti-clockwise
L1472.120-A	16.5	10	6	49	67	30	150	Anti-clockwise