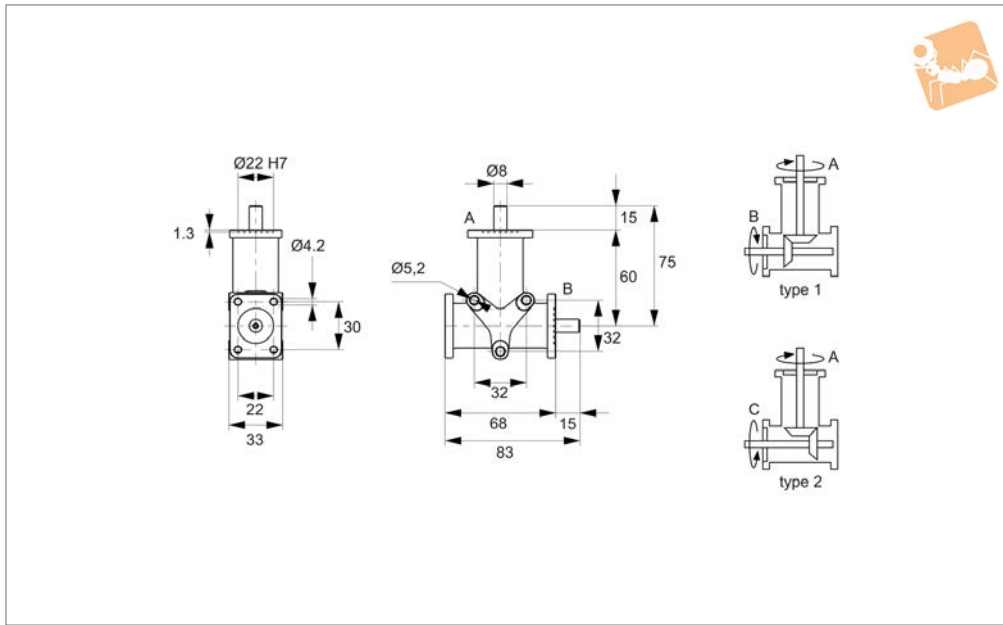




Stainless Right Angle Drives - 2 Shafts

Ø8 shafts

Right Angle Gear Boxes



R2350

RIGHT ANGLE GEAR BOXES

Material

Stainless steel (AISI 316) housing and shafts. Seals - NBR. Spiral bevel gears from hardened steel.

Technical Notes

Normally used as speed reducers.

Shaft A is the input shaft, maximum input (as speed reducer) is 1400 rpm. Provides on average 10,000 hours trouble free life.

Usually used as speed reducers but can also be used as speed increasers (max

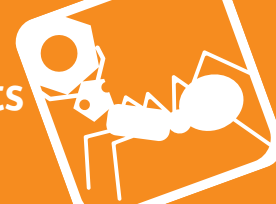
input 750 rpm).

Temperature range -20C to +80C

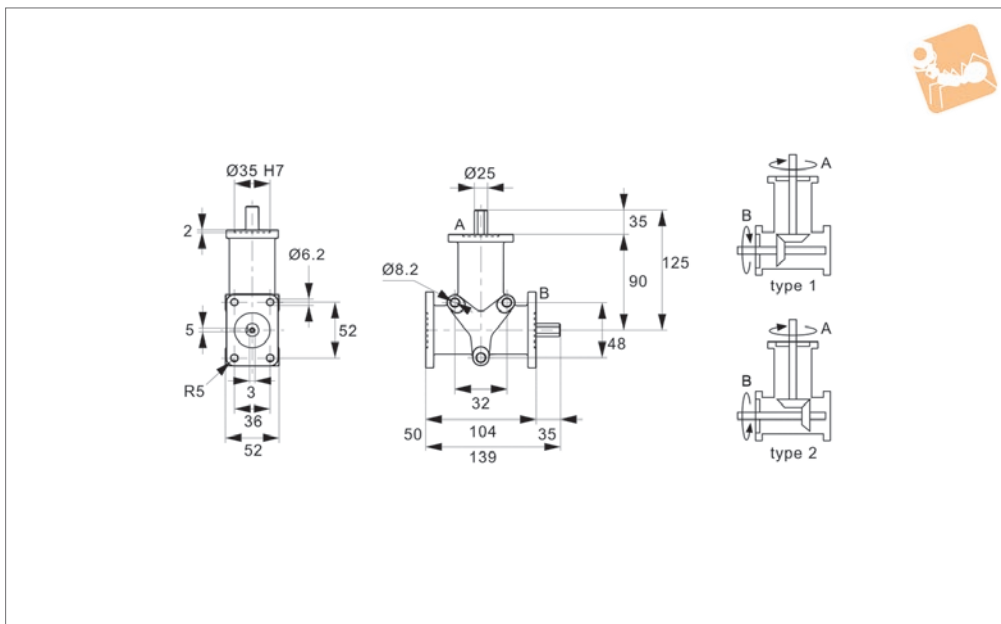
Max. radial loading 60N. Max. axial loading 20N.

Angular alignment: 15' to 30' of arc.

Order No.	Shaft dia. tol. f7	Type	Ratio	Input shaft A kW max.	Output shaft B Nm max.	Weight kg
R2350.1-1	8	1	1:1	0.24	1.60	0.48
R2350.2-1	8	2	1:1	0.24	1.60	0.483
R2350.1-2	8	1	2:1	0.16	1.10	0.483
R2350.2-2	8	2	2:1	0.16	1.10	0.483



R2352



Material

Stainless steel (AISI 316) housing and shafts, seals - NBR. Spiral bevel gears from hardened steel.

Technical Notes

Normally used as speed reducers.
Max. radial loading 140N. Max. axial loading 50N.

Angular alignment: 15' to 30' of arc.

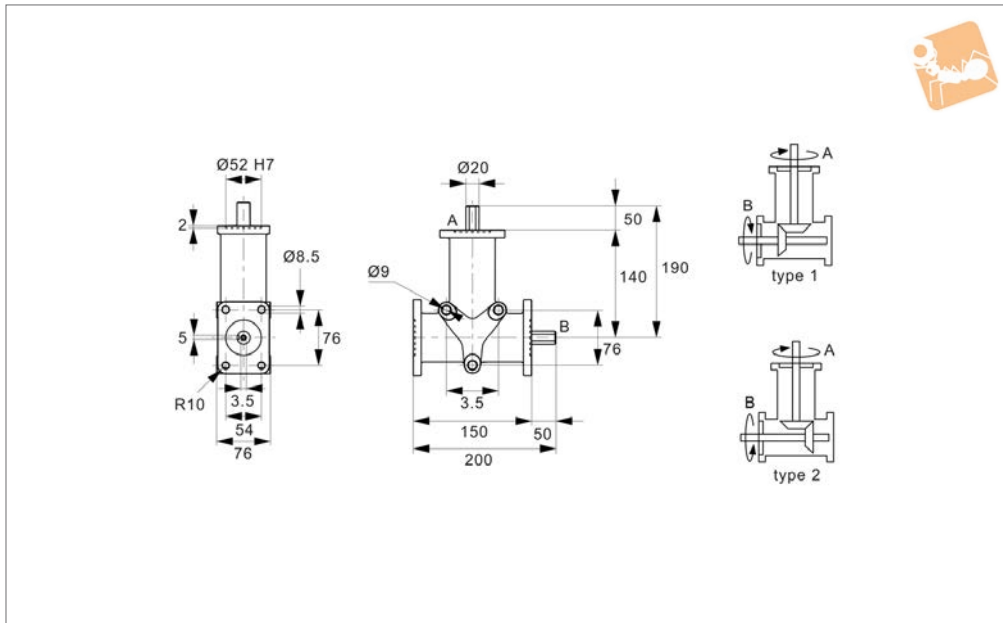
Order No.	Shaft dia. tol. f7	Type	Ratio	Input shaft A kW max.	Output shaft B Nm max.	Weight kg
R2352.1-1	15	1	1:1	0.88	6	1.8
R2352.2-1	15	2	1:1	0.880	6	1.8
R2352.1-2	15	1	2:1	0.59	4	1.8
R2352.2-2	15	2	2:1	0.59	4	1.8



Stainless Right Angle Drives - 2 Shafts

Ø20 shafts

Right Angle Gear Boxes



R2354

RIGHT ANGLE GEAR BOXES

Material

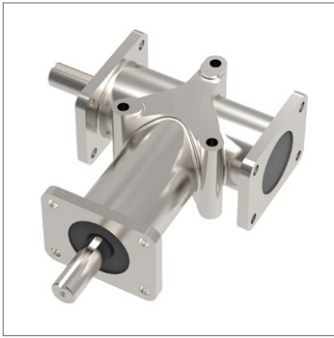
Stainless steel (AISI 316) housing and shafts, seals - NBR. Spiral bevel gears from hardened steel.

Technical Notes

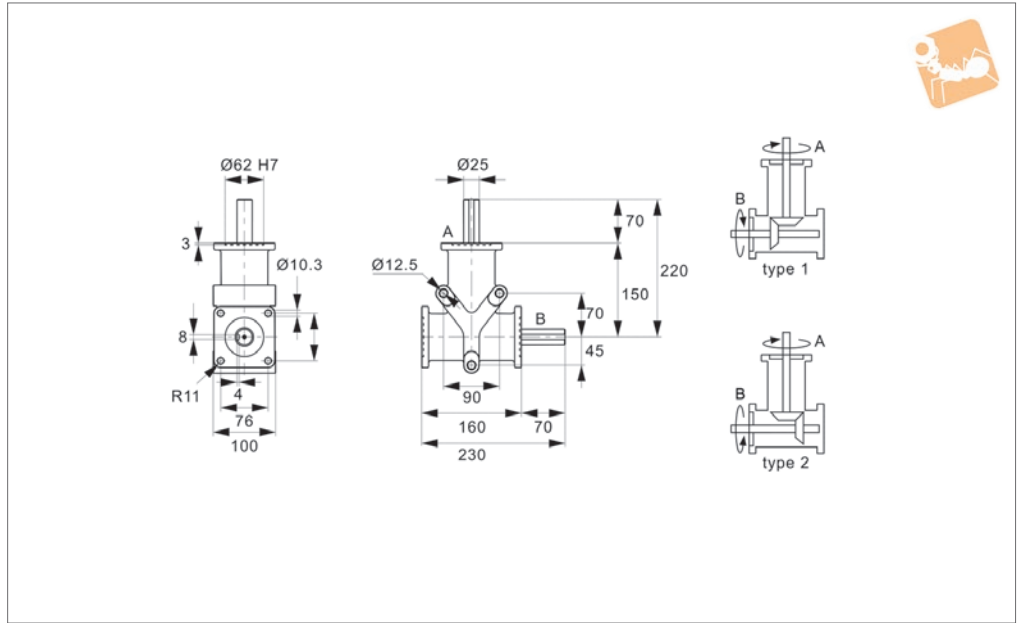
Normally used as speed reducers.
Max. radial loading 300N. Max. axial loading 80N.

Angular alignment: 15' to 30' of arc.

Order No.	Shaft dia. tol. f7	Type	Ratio	Input shaft A kW max.	Output shaft B Nm max.	Weight kg
R2354.1-1	20	1	1:1	2.79	19	5.39
R2354.2-1	20	2	1:1	2.79	19	5.39
R2354.1-2	20	1	2:1	1.76	12	5.39
R2354.2-2	20	2	2:1	1.76	12	5.39



R2358



Material

Stainless steel (AISI 316) housing and shafts, seals - NBR. Spiral bevel gears from hardened steel.

Technical Notes

Normally used as speed reducers.
Max. radial loading 400N. Max. axial loading 160N.

Angular alignment: 15' to 30' of arc.

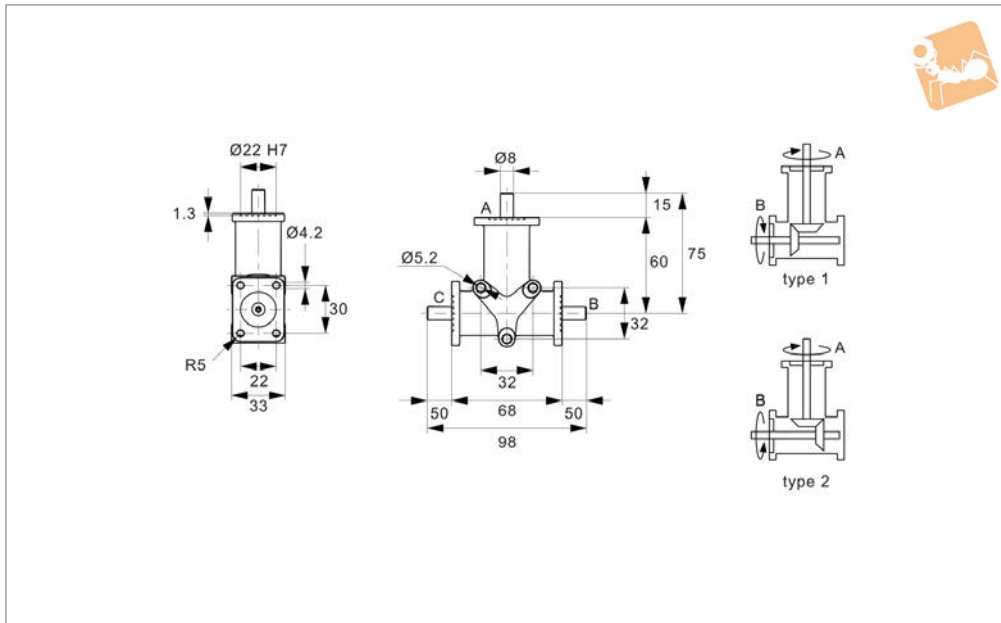
Order No.	Shaft dia. tol. f7	Type	Ratio	Input shaft A kW max.	Output shaft B Nm max.	Weight kg
R2358.1-1	25	1	1:1	4.55	31	9.14
R2358.2-1	25	2	1:1	4.55	31	9.14
R2358.1-2	25	1	2:1	3.37	23	9.14
R2358.2-2	25	2	2:1	3.37	23	9.14



Stainless Right Angle Drives - 3 Shafts

Ø8 shafts

Right Angle Gear Boxes



R2351

RIGHT ANGLE GEAR BOXES

Material

Lightweight aluminium alloy housing.
Stainless steel (AISI 316) housing and shafts, seals - NBR. Spiral bevel gears from

hardened steel.

Technical Notes

Normally used as speed reducers.

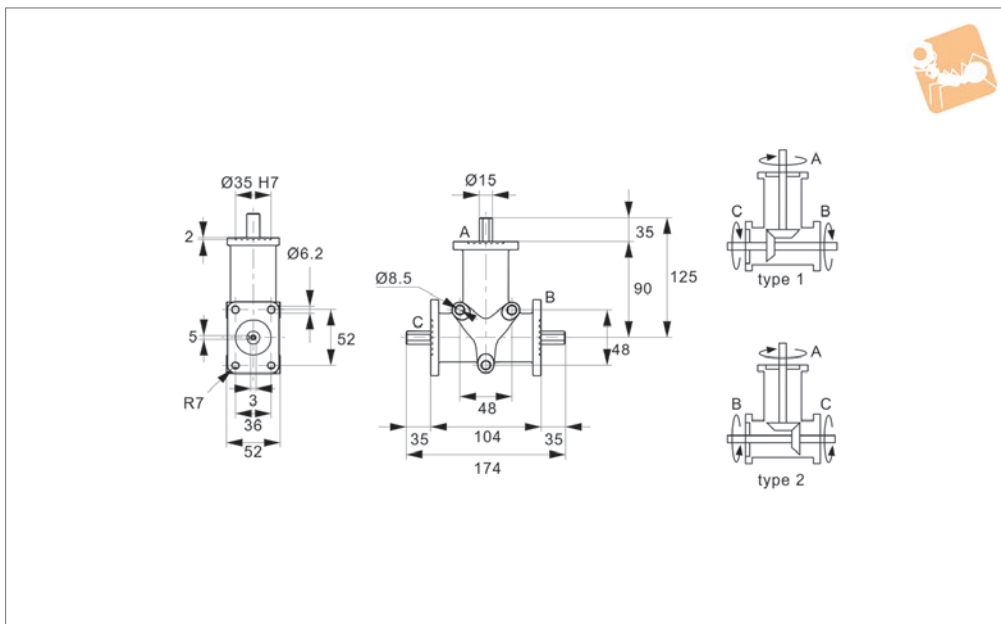
Max. radial loading 60N. Max. axial loading 20N.

Angular alignment: 15' to 30' of arc.

Order No.	Shaft dia. tol. f7	Ratio	Input shaft A kW max.	Output shaft B Nm max.	Output shaft C Nm max.	Weight kg
R2351.1	8	1	0.24	0.80	0.80	0.48
R2351.2	8	2	0.16	0.55	0.55	0.48



R2353



Material

Stainless steel (AISI 316) housing and shafts, seals - NBR. Spiral bevel gears from hardened steel.

Technical Notes

Normally used as speed reducers.
Max. radial loading 140N. Max. axial loading 50N.

Angular alignment: 15' to 30' of arc.

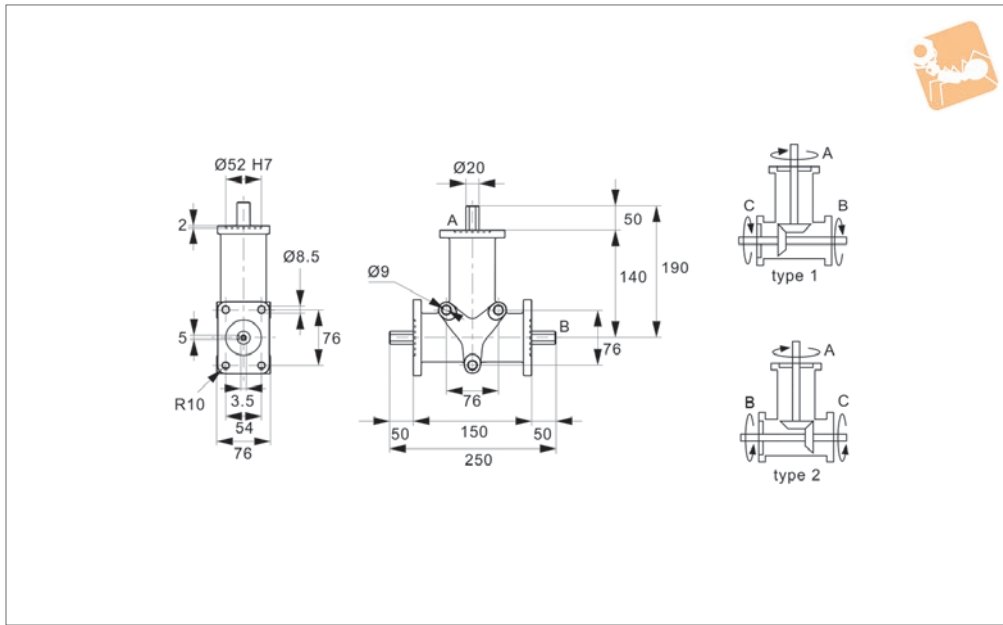
Order No.	Shaft dia. tol. f7	Ratio	Input shaft A kW max.	Output shaft B Nm max.	Output shaft C Nm max.	Weight kg
R2353.1	15	1:1	0.88	3	3	1.86
R2353.2	15	2:1	0.59	2	2	1.86



Stainless Right Angle Drives - 3 shafts

Ø20 shafts

Right Angle Gear Boxes



R2355

RIGHT ANGLE GEAR BOXES

Material

Stainless steel (AISI 316) housing and shafts, seals - NBR. Spiral bevel gears from hardened steel.

Technical Notes

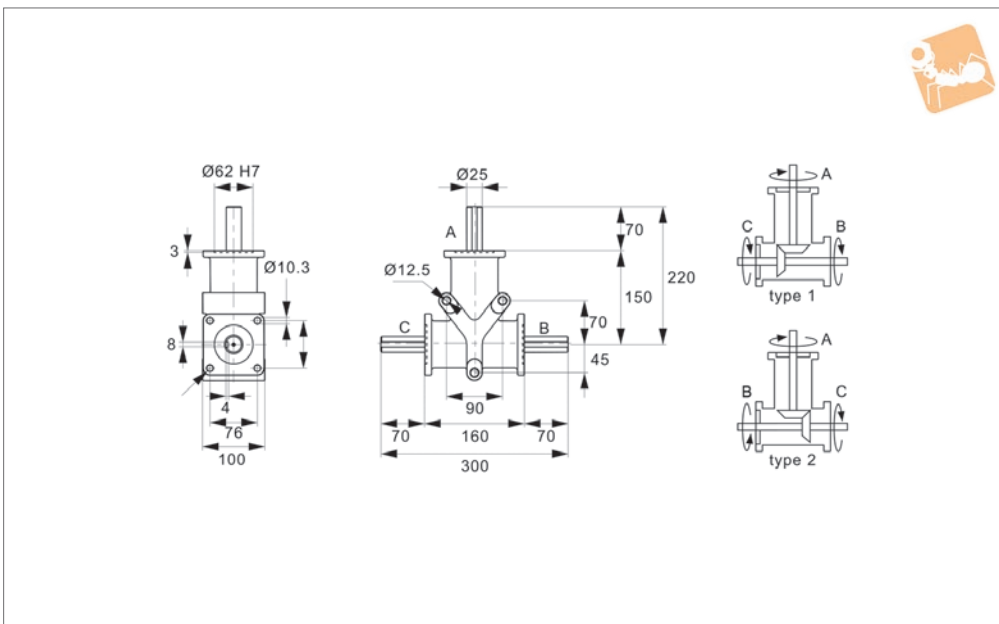
Normally used as speed reducers.
Max. radial loading 300N. Max. axial loading 80N.

Angular alignment: 15' to 30' of arc.

Order No.	Shaft dia. tol. f7	Ratio	Input shaft A kW max.	Output shaft B Nm max.	Output shaft C Nm max.	Weight kg
R2355.1	20	1:1	2.79	9.5	9.5	5.54
R2355.2	20	2:1	1.76	6.0	6.0	5.54



R2359



Material

Stainless steel (AISI 316) housing and shafts, seals - NBR. Spiral bevel gears from hardened steel.

Technical Notes

Normally used as speed reducers.
Max. radial loading 400N. Max. axial loading 160N.

Angular alignment: 15' to 30' of arc.

Order No.	Shaft dia.	Ratio	Input shaft A kW max.	Output shaft B Nm max.	Output shaft C Nm max.	Weight kg
R2359.1	25	1	4.55	15.50	15.50	9.45
R2359.2	25	2	3.37	11.50	11.50	9.45