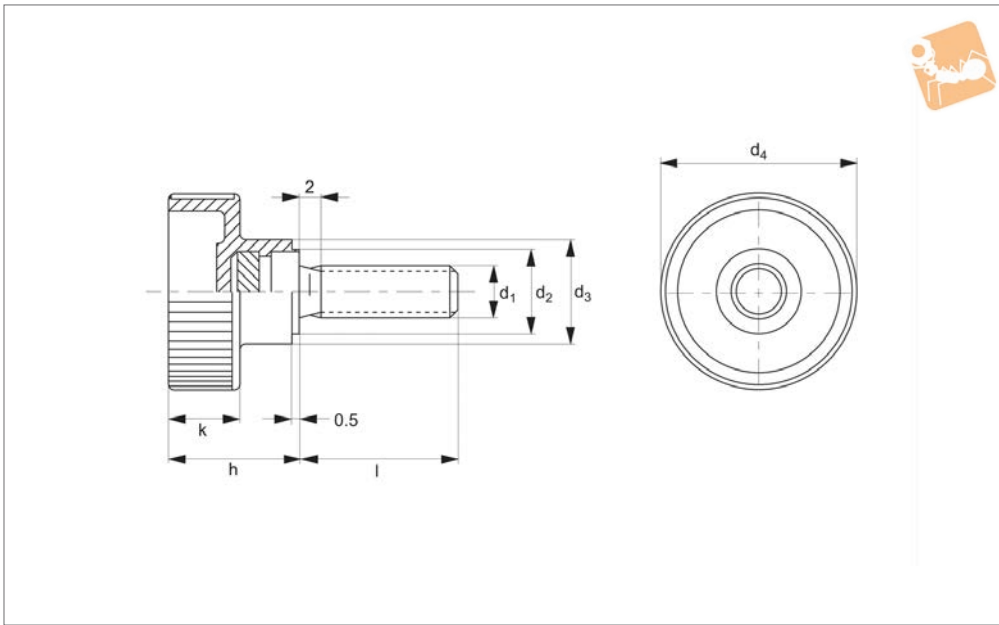


# Knurled Thumb Screws

plastic - steel grub screw

## Thumb Screws



**P0440.ZP**

THUMB SCREWS

### Material

Handle: thermoplastic PA, black.  
Screw: steel, galvanised

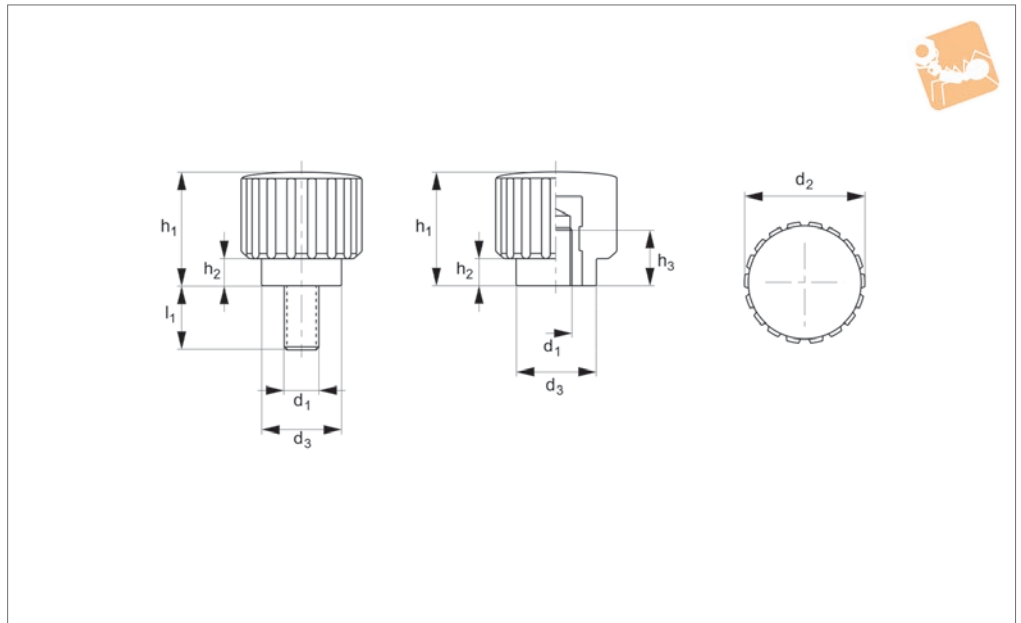
### Technical Notes

Temperature range from -30°C up to +80°C.

Order No.	d <sub>1</sub>	d <sub>2</sub>	d <sub>3</sub>	d <sub>4</sub>	h	k	l	Weight g
P0440.040-015-ZP	M 4	9	12	19	14.0	8.0	15	6.0
P0440.040-020-ZP	M 4	9	12	19	14.0	8.0	20	7.0
P0440.050-010-ZP	M 5	9	12	19	14.0	8.0	10	6.0
P0440.050-020-ZP	M 5	9	12	19	14.0	8.0	20	7.0
P0440.050-025-ZP	M 5	9	12	19	14.0	8.0	25	8.0
P0440.060-016-ZP	M 6	12	14	24	16.5	9.5	16	8.0
P0440.060-020-ZP	M 6	12	14	24	16.5	9.5	20	12.0
P0440.060-030-ZP	M 6	12	14	24	16.5	9.5	30	13.0
P0440.080-020-ZP	M 8	14	16	30	19.5	11.0	20	16.0
P0440.080-025-ZP	M 8	14	16	30	19.5	11.0	25	17.0
P0440.080-030-ZP	M 8	14	16	30	19.5	11.0	30	23.0
P0440.100-025-ZP	M10	16	18	36	22.5	12.5	25	31.0
P0440.100-030-ZP	M10	16	18	36	22.5	12.5	30	33.0
P0440.100-040-ZP	M10	16	18	36	22.5	12.5	40	38.0



**P0444**



**Material**

Duroplast, black satin finish, male version with zinc-plated thread, female version

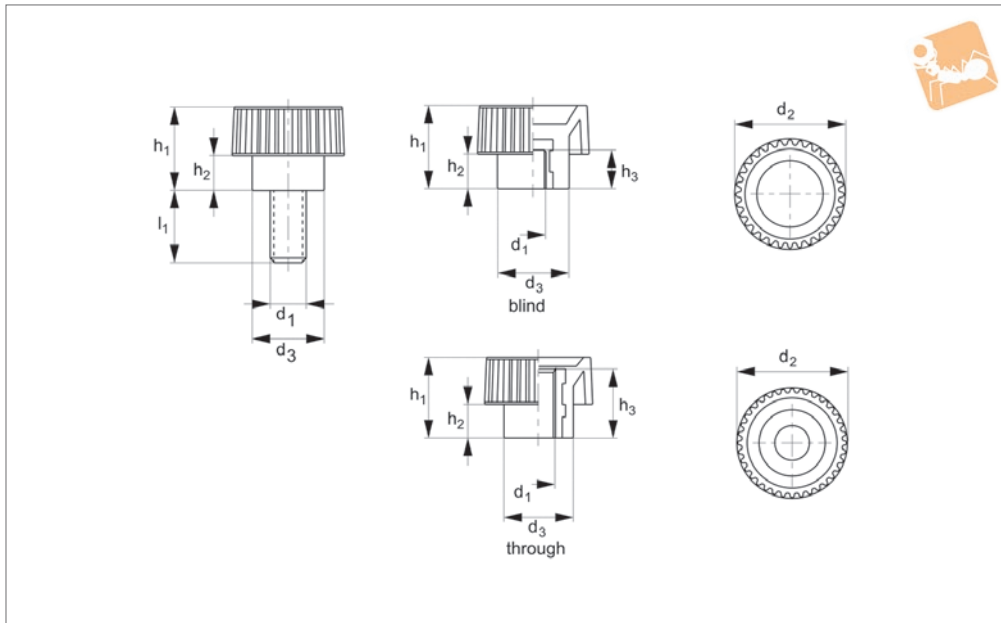
with brass insert.

**Technical Notes**

Resistant to organic and inorganic

chemical substances such as oils, greases, fuels and solvents.

Order No.	Type	d <sub>1</sub>	l <sub>1</sub>	d <sub>2</sub>	d <sub>3</sub>	h <sub>1</sub>	h <sub>2</sub>	Insert material	h <sub>3</sub>
P0444.040-010-ZP	Male	M4	10	15	11	12	1.5	Steel ZP	-
P0444.050-010-ZP	Male	M5	10	15	11	12	1.5	Steel ZP	-
P0444.050-013-ZP	Male	M5	13	18	12	17	4.0	Steel ZP	-
P0444.050-040-ZP	Male	M5	40	24	12	17	5.5	Steel ZP	-
P0444.060-013-ZP	Male	M6	13	18	16	17	4.0	Steel ZP	-
P0444.060-015-ZP	Male	M6	15	24	16	17	5.5	Steel ZP	-
P0444.080-015-ZP	Male	M8	15	24	16	17	5.5	Steel ZP	-
P0444.080-025-ZP	Male	M8	25	24	16	17	5.5	Steel ZP	-
P0444.030-015-BR	Female	M3	-	15	11	12	1.5	Brass	9
P0444.040-015-BR	Female	M4	-	15	11	12	1.5	Brass	9
P0444.050-015-BR	Female	M5	-	15	11	12	1.5	Brass	9
P0444.050-018-BR	Female	M5	-	18	12	17	4.0	Brass	9
P0444.060-015-BR	Female	M5	-	15	11	12	1.5	Brass	9
P0444.060-018-BR	Female	M6	-	18	12	17	4.0	Brass	9
P0444.060-024-BR	Female	M6	-	24	16	17	5.5	Brass	9
P0444.080-024-BR	Female	M8	-	24	16	17	5.5	Brass	9



**P0445**

THUMB SCREWS

**Material**

Duroplast, black, male version with zinc-plated thread, female versions with brass insert.

Type A has a tapped blind bush, type B has a through threaded bush.

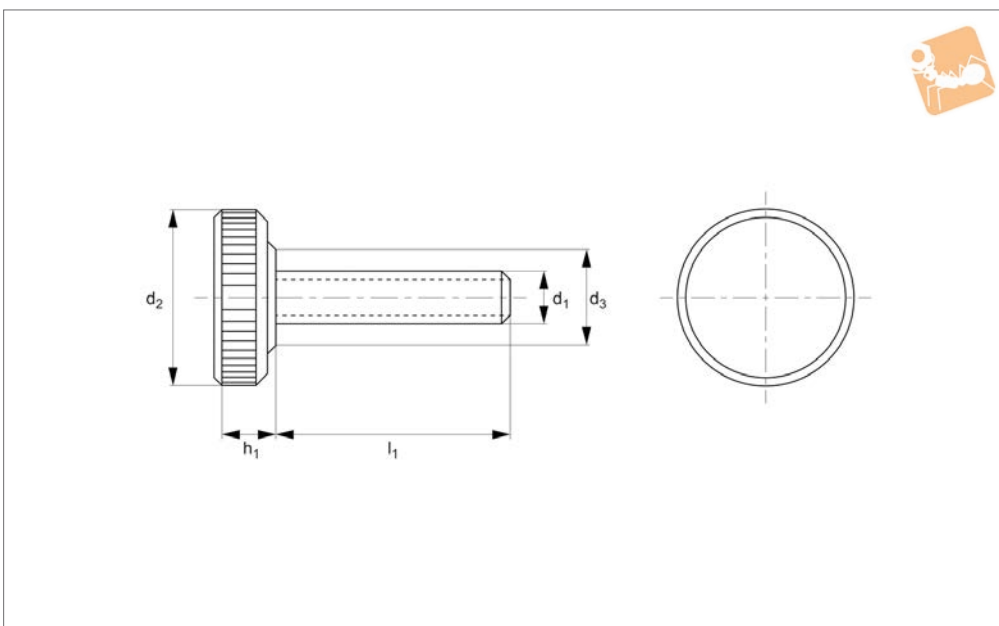
**Technical Notes**

Resistant to organic and inorganic chemical substances such as oils, greases, fuels and solvents.

Order No.	Type	d <sub>1</sub>	l <sub>1</sub>	d <sub>2</sub>	d <sub>3</sub>	h <sub>1</sub>	h <sub>2</sub>	Insert material	h <sub>3</sub>
P0445.030-010-ZP	Male	M 3	10	15	11.5	13.5	5	Steel ZP	-
P0445.040-010-ZP	Male	M 4	10	15	11.5	13.5	5	Steel ZP	-
P0445.040-015-ZP	Male	M 4	15	15	11.5	13.5	5	Steel ZP	-
P0445.040-025-ZP	Male	M 4	25	15	11.5	13.5	5	Steel ZP	-
P0445.050-010-ZP	Male	M 5	10	20	13.0	16.0	6	Steel ZP	-
P0445.050-015-ZP	Male	M 5	15	15	11.5	13.5	5	Steel ZP	-
P0445.050-016-ZP	Male	M 5	15	20	13.0	16.0	6	Steel ZP	-
P0445.050-017-ZP	Male	M 5	20	20	13.0	16.0	6	Steel ZP	-
P0445.050-025-ZP	Male	M 5	25	20	13.0	16.0	6	Steel ZP	-
P0445.060-015-ZP	Male	M 6	15	15	11.5	13.5	5	Steel ZP	-
P0445.030-15A-BR	Female - blind	M 3	-	15	11.5	13.5	5	Brass	9
P0445.040-15A-BR	Female - blind	M 4	-	15	11.5	13.5	5	Brass	9
P0445.050-15A-BR	Female - blind	M 5	-	15	11.5	13.5	5	Brass	9
P0445.060-15A-BR	Female - blind	M 6	-	15	11.5	13.5	5	Brass	9
P0445.050-20A-BR	Female - blind	M 5	-	20	13.0	16.0	6	Brass	9
P0445.060-20A-BR	Female - blind	M 6	-	20	13.0	16.0	6	Brass	9
P0445.060-32A-BR	Female - blind	M 6	-	32	17.0	22.0	9	Brass	11
P0445.080-32A-BR	Female - blind	M8	-	32	17.0	22.0	9	Brass	11
P0445.100-32A-BR	Female - blind	M10	-	32	17.0	22.0	9	Brass	11
P0445.030-15B-BR	Female - through	M 3	-	15	11.5	13.5	5	Brass	11.5
P0445.040-15B-BR	Female - through	M 4	-	15	11.5	13.5	5	Brass	11.5
P0445.040-20B-BR	Female - through	M 4	-	20	13.0	16.0	6	Brass	11.5
P0445.050-15B-BR	Female - through	M 5	-	15	11.5	13.5	5	Brass	11.5
P0445.050-20B-BR	Female - through	M 5	-	20	13.0	16.0	6	Brass	11.5
P0445.060-15B-BR	Female - through	M 6	-	15	11.5	13.5	5	Brass	11.5
P0445.060-20B-BR	Female - through	M 6	-	20	13.0	16.0	6	Brass	11.5
P0445.060-32B-BR	Female - through	M 6	-	32	17.0	22.0	9	Brass	16.5
P0445.080-32B-BR	Female - through	M 8	-	32	17.0	22.0	9	Brass	16.5
P0445.100-32B-BR	Female - through	M10	-	32	17.0	22.0	9	Brass	16.5



### P0480.A4



#### Material

Stainless steel thread (A4, AISI 316), with black plastic head, other colours ( red,

blue, green, white ) available on request.

start to corrosion.

#### Technical Notes

Stainless steel A4, AISI 316 is highly resi-

Order No.	d <sub>1</sub>	l <sub>1</sub>	d <sub>2</sub>	d <sub>3</sub>	h <sub>1</sub>
P0480.030-005-A4	M3	5	10	8	4
P0480.030-006-A4	M3	6	10	8	4
P0480.030-008-A4	M3	8	10	8	4
P0480.030-012-A4	M3	12	10	8	4
P0480.030-016-A4	M3	16	10	8	4
P0480.030-020-A4	M3	20	10	8	4
P0480.030-025-A4	M3	25	10	8	4
P0480.040-006-A4	M4	6	13	10	5
P0480.040-010-A4	M4	10	13	10	5
P0480.040-012-A4	M4	12	13	10	5
P0480.040-016-A4	M4	16	13	10	5
P0480.040-020-A4	M4	20	13	10	5
P0480.040-025-A4	M4	25	13	10	5
P0480.050-008-A4	M5	8	16	12	6
P0480.050-010-A4	M5	10	16	12	6
P0480.050-012-A4	M5	12	16	12	6
P0480.050-016-A4	M5	16	16	12	6
P0480.050-020-A4	M5	20	16	12	6
P0480.050-025-A4	M5	25	16	12	6
P0480.060-010-A4	M6	10	19	14	8
P0480.060-012-A4	M6	12	19	14	8
P0480.060-016-A4	M6	16	19	14	8
P0480.060-020-A4	M6	20	19	14	8
P0480.060-025-A4	M6	25	19	14	8
P0480.060-030-A4	M6	30	19	14	8
P0480.080-010-A4	M8	10	26	16	10
P0480.080-012-A4	M8	12	26	16	10
P0480.080-016-A4	M8	16	26	16	10
P0480.080-020-A4	M8	20	26	16	10
P0480.080-025-A4	M8	25	26	16	10
P0480.080-030-A4	M8	30	26	16	10
P0480.080-040-A4	M8	40	26	16	10

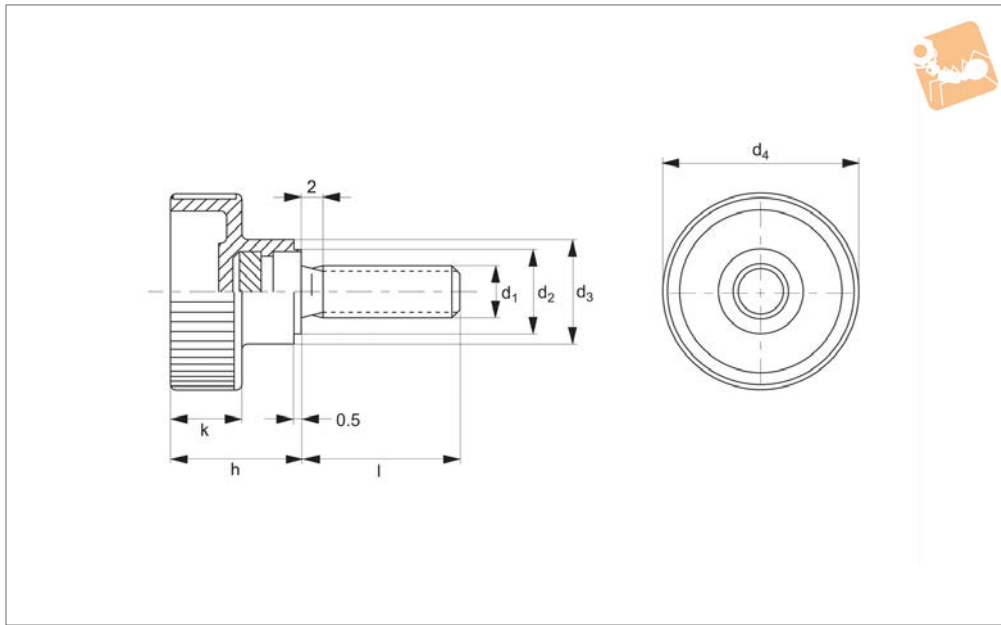


# Knurled Thumb Screws

plastic - stainless steel grub screw



Thumb Screws



**P0440.A2**

THUMB SCREWS

### Material

Handle: thermoplastic PA, black.  
Screw: stainless steel 1.4567. (AISI 304)

### Technical Notes

Temperature range from -30°C up to +80°C.

Order No.	d <sub>1</sub>	d <sub>2</sub>	d <sub>3</sub>	d <sub>4</sub>	h	k	l	Weight g
P0440.050-010-A2	M 5	9	12	19	14.0	8.0	10	4.3
P0440.050-025-A2	M 5	9	12	19	14.0	8.0	25	6.0
P0440.060-016-A2	M 6	12	14	24	16.5	9.5	16	8.0
P0440.060-020-A2	M 6	12	14	24	16.5	9.5	20	9.0
P0440.060-030-A2	M 6	12	14	24	16.5	9.5	30	10.0
P0440.080-025-A2	M 8	14	16	30	19.5	11.0	25	17.0
P0440.080-030-A2	M 8	14	16	30	19.5	11.0	30	19.0