

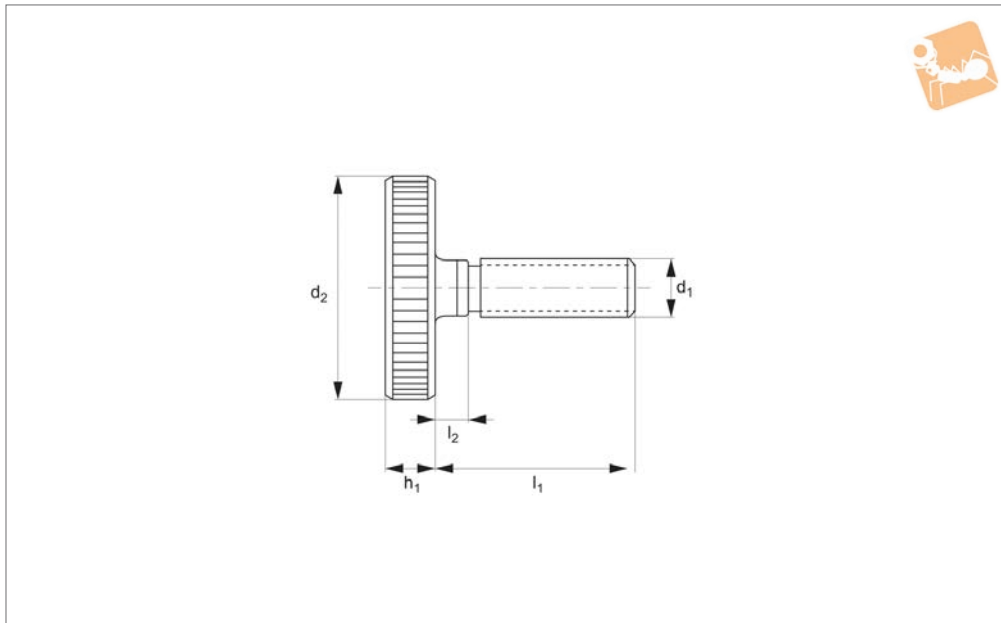


# Flat Knurled Thumb Screws

Flat - steel - zinc-plated



Thumb Screws



P0405.ZP

THUMB SCREWS

### Material

Steel (class5.8) zinc-plated.

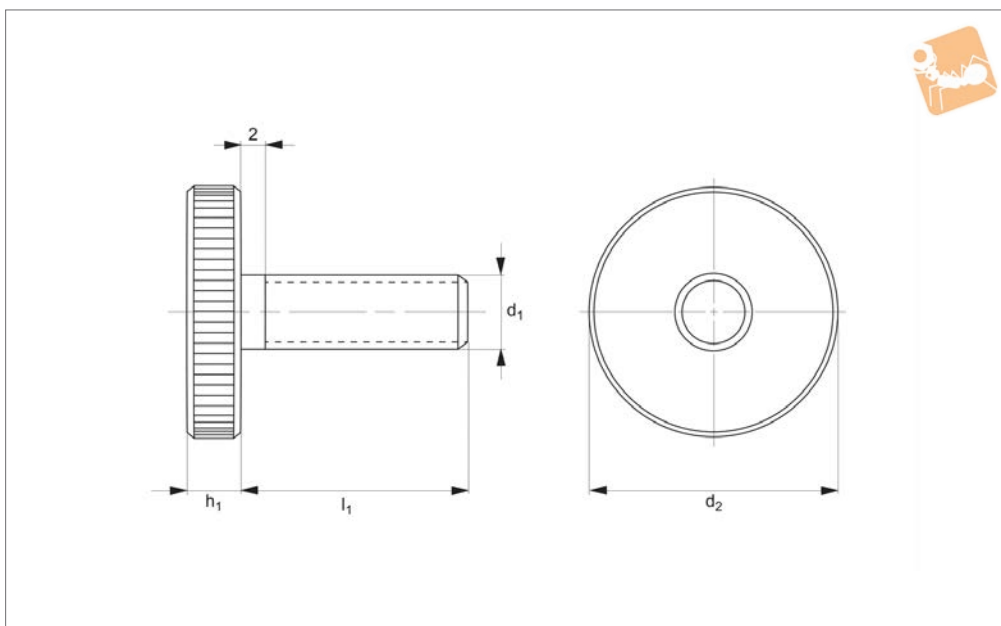
### Technical Notes

To DIN 653.

Order No.	d <sub>1</sub>	l <sub>1</sub>	d <sub>2</sub>	h <sub>1</sub>	l <sub>2</sub>	Material	Weight g
P0405.030-006-ZP	M 3	6	12	2.5	2	Steel ZP	2.4
P0405.030-008-ZP	M 3	8	12	2.5	2	Steel ZP	2.5
P0405.030-010-ZP	M 3	10	12	2.5	2	Steel ZP	2.6
P0405.030-016-ZP	M 3	16	12	2.5	2	Steel ZP	2.9
P0405.040-008-ZP	M 4	8	16	3.5	3	Steel ZP	6.1
P0405.040-010-ZP	M 4	10	16	3.5	3	Steel ZP	6.2
P0405.040-012-ZP	M 4	12	16	3.5	3	Steel ZP	6.4
P0405.040-016-ZP	M 4	16	16	3.5	3	Steel ZP	6.7
P0405.040-020-ZP	M 4	20	16	3.5	3	Steel ZP	7.0
P0405.040-025-ZP	M 4	25	16	3.5	3	Steel ZP	7.4
P0405.050-010-ZP	M 5	10	20	4.0	3	Steel ZP	11.0
P0405.050-012-ZP	M 5	12	20	4.0	3	Steel ZP	11.3
P0405.050-016-ZP	M 5	16	20	4.0	3	Steel ZP	11.7
P0405.050-020-ZP	M 5	20	20	4.0	3	Steel ZP	12.0
P0405.050-025-ZP	M 5	25	20	4.0	3	Steel ZP	12.6
P0405.050-030-ZP	M 5	30	20	4.0	3	Steel ZP	13.0
P0405.060-012-ZP	M 6	12	24	5.0	4	Steel ZP	20.0
P0405.060-016-ZP	M 6	16	24	5.0	4	Steel ZP	20.4
P0405.060-020-ZP	M 6	20	24	5.0	4	Steel ZP	21.0
P0405.060-025-ZP	M 6	25	24	5.0	4	Steel ZP	22.0
P0405.060-030-ZP	M 6	30	24	5.0	4	Steel ZP	22.6
P0405.080-020-ZP	M 8	20	30	6.0	5	Steel ZP	40.0
P0405.080-025-ZP	M 8	25	30	6.0	5	Steel ZP	42.0
P0405.080-030-ZP	M 8	30	30	6.0	5	Steel ZP	43.0
P0405.080-035-ZP	M 8	35	30	6.0	5	Steel ZP	45.0
P0405.080-040-ZP	M 8	40	30	6.0	5	Steel ZP	47.0
P0405.100-020-ZP	M10	20	36	8.0	6	Steel ZP	73.0
P0405.100-025-ZP	M10	25	36	8.0	6	Steel ZP	76.0
P0405.100-030-ZP	M10	30	36	8.0	6	Steel ZP	78.0
P0405.100-040-ZP	M10	40	36	8.0	6	Steel ZP	83.0



**P0405.BL**



**Material**

Steel, quality 5.8, blackened. Turned, visible face, good finish.

**Technical Notes**

All knurled screws are one-piece manufactured with thread up to the head (DIN-

designation ,A').

Order No.	d <sub>1</sub>	d <sub>2</sub>	h <sub>1</sub>	l <sub>1</sub>	Weight g
P0405.030-006-BL	M 3	12	2.5	6	2.3
P0405.030-008-BL	M 3	12	2.5	8	2.4
P0405.030-010-BL	M 3	12	2.5	10	2.5
P0405.030-016-BL	M 3	12	2.5	16	2.7
P0405.040-008-BL	M 4	16	3.5	8	5.6
P0405.040-010-BL	M 4	16	3.5	10	5.7
P0405.040-012-BL	M 4	16	3.5	12	6.1
P0405.040-016-BL	M 4	16	3.5	16	6.2
P0405.040-020-BL	M 4	16	3.5	20	6.6
P0405.040-025-BL	M 4	16	3.5	25	7.0
P0405.050-010-BL	M 5	20	4.0	10	10.0
P0405.050-012-BL	M 5	20	4.0	12	11.0
P0405.050-016-BL	M 5	20	4.0	16	12.0
P0405.050-020-BL	M 5	20	4.0	20	12.0
P0405.050-025-BL	M 5	20	4.0	25	12.0
P0405.050-030-BL	M 5	20	4.0	30	13.0
P0405.060-012-BL	M 6	24	5.0	12	18.0
P0405.060-016-BL	M 6	24	5.0	16	20.0
P0405.060-020-BL	M 6	24	5.0	20	20.0
P0405.060-025-BL	M 6	24	5.0	25	20.0
P0405.060-030-BL	M 6	24	5.0	30	22.0
P0405.080-020-BL	M 8	30	6.0	20	37.0
P0405.080-025-BL	M 8	30	6.0	25	39.0
P0405.080-030-BL	M 8	30	6.0	30	41.0
P0405.080-035-BL	M 8	30	6.0	35	42.0
P0405.080-040-BL	M 8	30	6.0	40	44.0
P0405.100-020-BL	M10	36	8.0	20	71.0
P0405.100-025-BL	M10	36	8.0	25	72.0
P0405.100-030-BL	M10	36	8.0	30	76.0
P0405.100-040-BL	M10	36	8.0	40	80.0