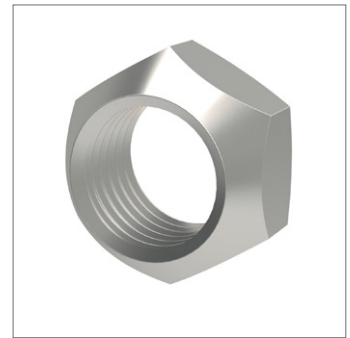
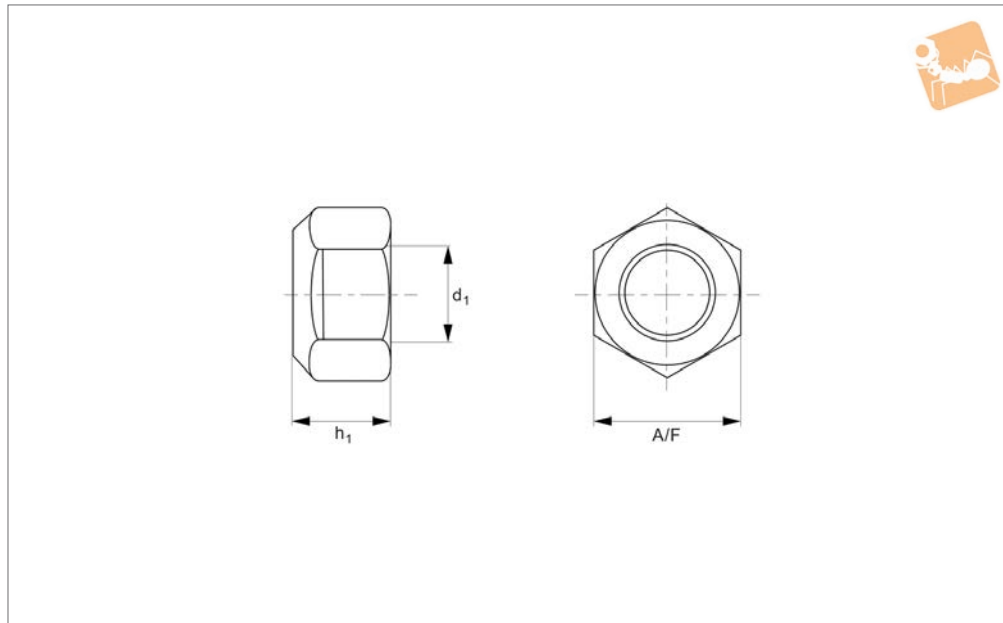




Stover Nuts

oval lock nuts



P0308.A2

NUTS

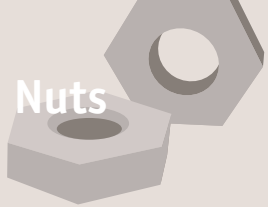
Material
Stainless steel (A2).

Technical Notes
To DIN 980 V.

Reusable, resistant to shocks, vibrations and dynamic loads.
The locking function is achieved by the deformation of part of the nut. The nut will

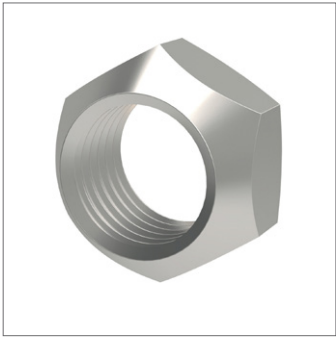
run smoothly until it reaches the deformed part at which point the clamping force will increase.

Order No.	d ₁	h ₁	A/F	Material
P0308.030-A2	M 3	3	5.5	A2 s/s
P0308.040-A2	M 4	4	7	A2 s/s
P0308.050-A2	M 5	5	8	A2 s/s
P0308.060-A2	M 6	6	10	A2 s/s
P0308.080-A2	M 8	8	13	A2 s/s
P0308.100-A2	M10	10	17	A2 s/s
P0308.120-A2	M12	12	19	A2 s/s
P0308.160-A2	M16	16	24	A2 s/s
P0308.200-A2	M20	20	30	A2 s/s
P0308.220-A2	M22	22	32	A2 s/s
P0308.240-A2	M24	24	36	A2 s/s

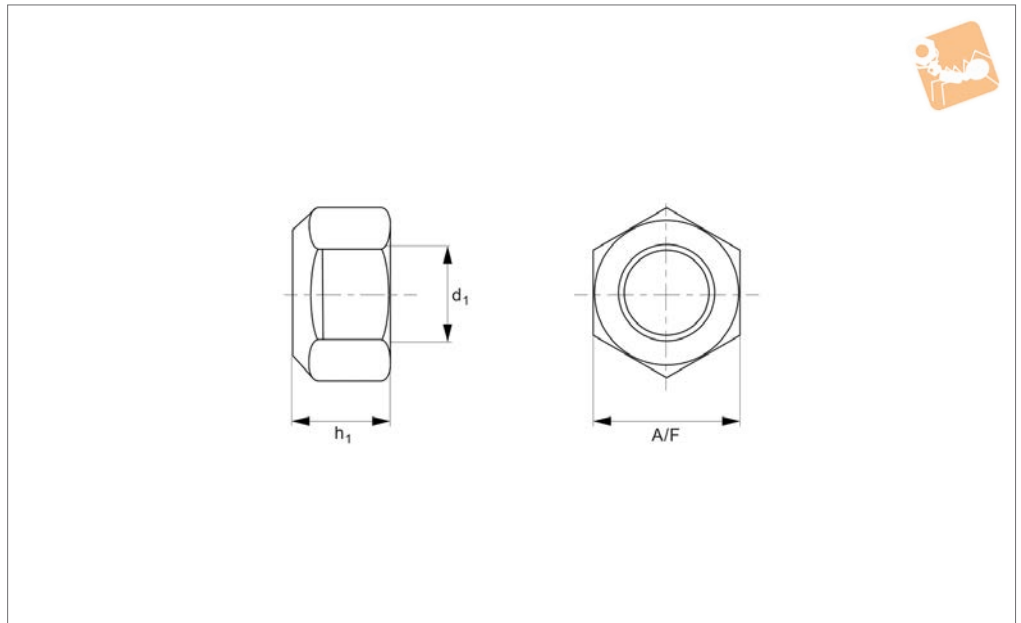


Stover Nuts

oval lock nuts



P0308.ZP



Material

Steel (class 8), zinc-plated.

Technical Notes

To DIN 980 V.

Reusable, resistant to shocks, vibrations and dynamic loads.

The locking function is achieved by the deformation of part of the nut. The nut will

run smoothly until it reaches the deformed part at which point the clamping force will increase.

Order No.	d_1	h_1	A/F	Material
P0308.050-ZP	M 5	5	8	Steel ZP
P0308.060-ZP	M 6	6	10	Steel ZP
P0308.080-ZP	M 8	8	13	Steel ZP
P0308.100-ZP	M10	10	17	Steel ZP
P0308.120-ZP	M12	12	19	Steel ZP
P0308.140-ZP	M14	14	22	Steel ZP
P0308.160-ZP	M16	16	24	Steel ZP
P0308.200-ZP	M20	20	30	Steel ZP
P0308.240-ZP	M24	24	36	Steel ZP
P0308.300-ZP	M30	30	46	Steel ZP