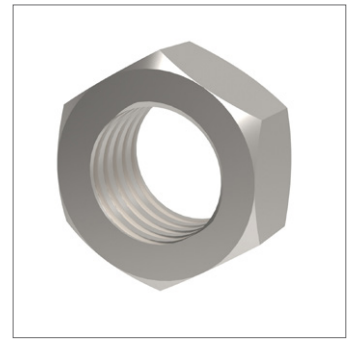
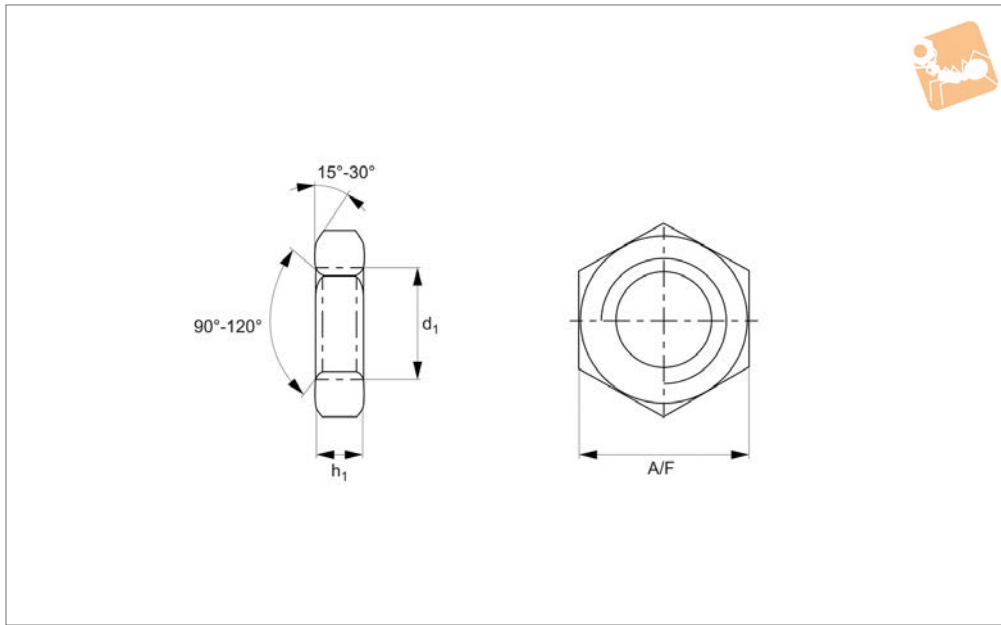




Lock Nuts Left Hand Thread

303 series stainless



P0307.A2

NUTS

Material

Stainless steel (AISI 303, 1.4305).

Standard threads are coarse pitch.

Fine threads are indicated by an A & B suffix.

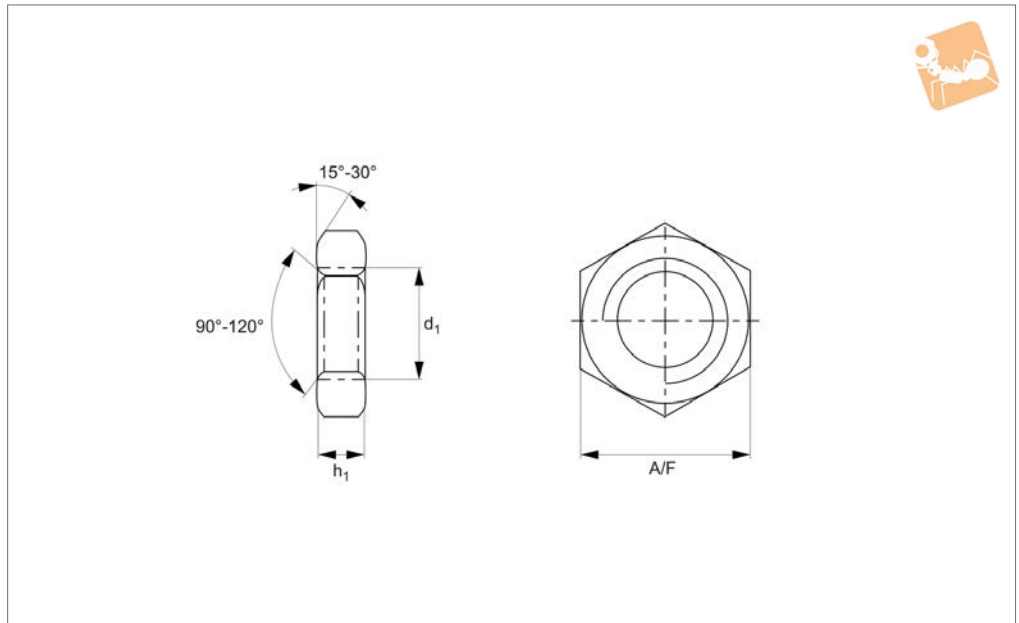
Technical Notes

To DIN 439. Left hand threads.

| Order No. | d ₁ | h ₁ min. | A/F | Material |
|------------------|----------------|------------------------|-----|----------|
| P0307.060-A2 | M 6 | 2.9 | 10 | A2 s/s |
| P0307.080-A2 | M 8 | 3.7 | 13 | A2 s/s |
| P0307.100-A2 | M10 | 4.7 | 17 | A2 s/s |
| P0307.100-100-A2 | M10x1,0 | 4.7 | 17 | A2 s/s |
| P0307.100-125-A2 | M10x1,25 | 4.7 | 17 | A2 s/s |
| P0307.120-A2 | M12 | 5.7 | 19 | A2 s/s |
| P0307.120-100-A2 | M12x1,0 | 5.7 | 19 | A2 s/s |
| P0307.120-125-A2 | M12x1,25 | 5.7 | 19 | A2 s/s |
| P0307.120-150-A2 | M12x1,5 | 5.7 | 19 | A2 s/s |
| P0307.140-A2 | M14 | 7 | 22 | A2 s/s |
| P0307.160-A2 | M16 | 7.42 | 24 | A2 s/s |
| P0307.160-150-A2 | M16x1,5 | 7.42 | 24 | A2 s/s |
| P0307.180-A2 | M18 | 9 | 27 | A2 s/s |
| P0307.180-150-A2 | M18x1,5 | 9 | 27 | A2 s/s |
| P0307.200-A2 | M20 | 9.1 | 30 | A2 s/s |
| P0307.200-150-A2 | M20x1,5 | 9.1 | 30 | A2 s/s |
| P0307.220-A2 | M22 | 9.1 | 32 | A2 s/s |
| P0307.220-150-A2 | M22x1,5 | 9.1 | 32 | A2 s/s |
| P0307.240-A2 | M24 | 10.9 | 36 | A2 s/s |
| P0307.240-150-A2 | M24x1,5 | 10.9 | 36 | A2 s/s |
| P0307.240-200-A2 | M24x2,0 | 10.9 | 36 | A2 s/s |
| P0307.270-A2 | M27 | 13.5 | 41 | A2 s/s |
| P0307.270-150-A2 | M27x1,5 | 13.5 | 41 | A2 s/s |
| P0307.300-A2 | M30 | 13.9 | 46 | A2 s/s |
| P0307.300-150-A2 | M30x1,5 | 13.9 | 46 | A2 s/s |
| P0307.360-A2 | M36 | 16.9 | 55 | A2 s/s |



P0307.A4



Material

Stainless steel (A4).

Standard threads are coarse pitch.

Fine threads are indicated by an A & B suffix.

Technical Notes

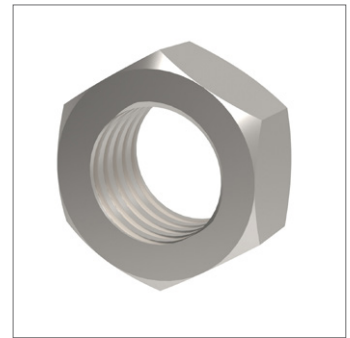
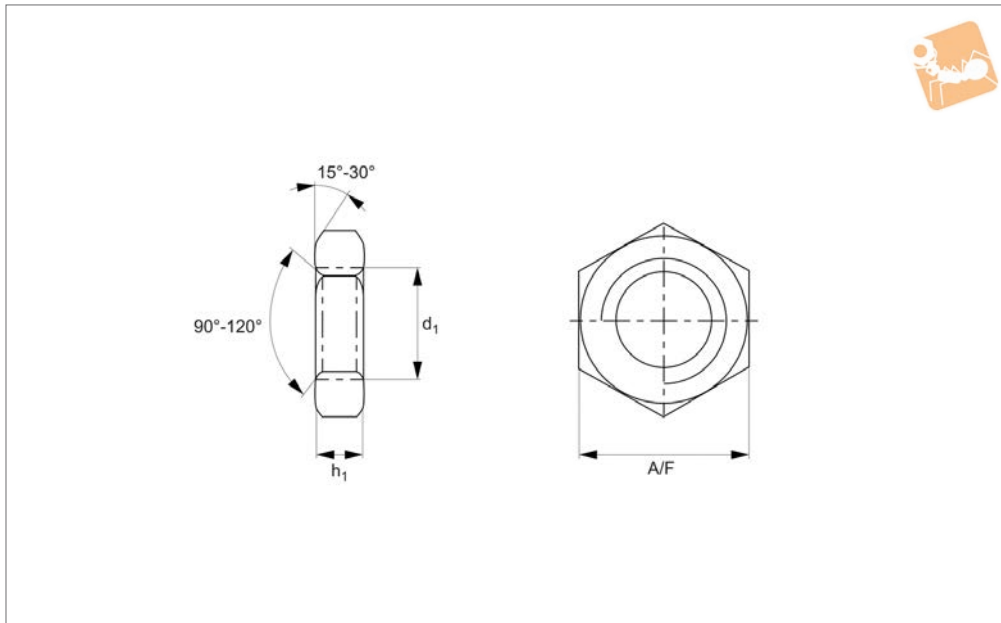
To DIN 439. Left hand threads.

| Order No. | d_1 | h_1 | A/F | Material |
|--------------|-------|-------|-----|----------|
| P0307.060-A4 | M 6 | 2.9 | 10 | A4 s/s |
| P0307.080-A4 | M 8 | 3.7 | 13 | A4 s/s |
| P0307.100-A4 | M10 | 4.7 | 17 | A4 s/s |
| P0307.120-A4 | M12 | 5.7 | 19 | A4 s/s |
| P0307.160-A4 | M16 | 7.42 | 24 | A4 s/s |
| P0307.200-A4 | M20 | 9.1 | 30 | A4 s/s |
| P0307.240-A4 | M24 | 10.9 | 36 | A4 s/s |
| P0307.300-A4 | M30 | 13.9 | 46 | A4 s/s |
| P0307.360-A4 | M36 | 16.9 | 55 | A4 s/s |



Lock Nuts Left Hand Thread

Steel, zinc-plated



P0307.ZP

NUTS

Material

Steel (class 4), zinc-plated.

Standard threads are coarse pitch.

Fine threads are indicated by an A & B suffix.

Technical Notes

To DIN 439. Left hand threads.

| Order No. | d ₁ | h ₁ | A/F | Material |
|------------------|----------------|----------------|-----|----------|
| P0307.050-ZP | M 5 | 2.7 | 8 | Steel ZP |
| P0307.060-ZP | M 6 | 2.9 | 10 | Steel ZP |
| P0307.080-ZP | M 8 | 3.7 | 13 | Steel ZP |
| P0307.100-ZP | M10 | 4.7 | 17 | Steel ZP |
| P0307.100-100-ZP | M10x1,0 | 4.7 | 17 | Steel ZP |
| P0307.100-125-ZP | M10x1,25 | 4.7 | 17 | Steel ZP |
| P0307.120-ZP | M12 | 5.7 | 19 | Steel ZP |
| P0307.120-100-ZP | M12x1,0 | 5.7 | 19 | Steel ZP |
| P0307.120-125-ZP | M12x1,25 | 5.7 | 19 | Steel ZP |
| P0307.120-150-ZP | M12x1,5 | 5.7 | 19 | Steel ZP |
| P0307.160-ZP | M16 | 7.42 | 24 | Steel ZP |
| P0307.160-150-ZP | M16x1,5 | 7.42 | 24 | Steel ZP |
| P0307.180-150-ZP | M18x1,5 | 9 | 27 | Steel ZP |
| P0307.200-ZP | M20 | 9.1 | 30 | Steel ZP |
| P0307.200-150-ZP | M20x1,5 | 9.1 | 30 | Steel ZP |
| P0307.220-150-ZP | M22x1,5 | 9.1 | 32 | Steel ZP |
| P0307.240-ZP | M24 | 10.9 | 36 | Steel ZP |
| P0307.240-150-ZP | M24x1,5 | 10.9 | 36 | Steel ZP |
| P0307.240-200-ZP | M24x2,0 | 10.9 | 36 | Steel ZP |
| P0307.270-ZP | M27 | 13.5 | 41 | Steel ZP |
| P0307.270-150-ZP | M27x1,5 | 13.5 | 41 | Steel ZP |
| P0307.300-ZP | M30 | 13.9 | 46 | Steel ZP |
| P0307.300-150-ZP | M30x1,5 | 13.9 | 46 | Steel ZP |
| P0307.300-200-ZP | M30x2,0 | 13.9 | 46 | Steel ZP |
| P0307.360-150-ZP | M36x1,5 | 18 | 55 | Steel ZP |
| P0307.360-300-ZP | M36x3,0 | 18 | 55 | Steel ZP |