

P1248

OTHER PINS

Material

Mild steel, generally silver zinc-plated.
Zinc plating colour will be at manufac-

turers discretion.

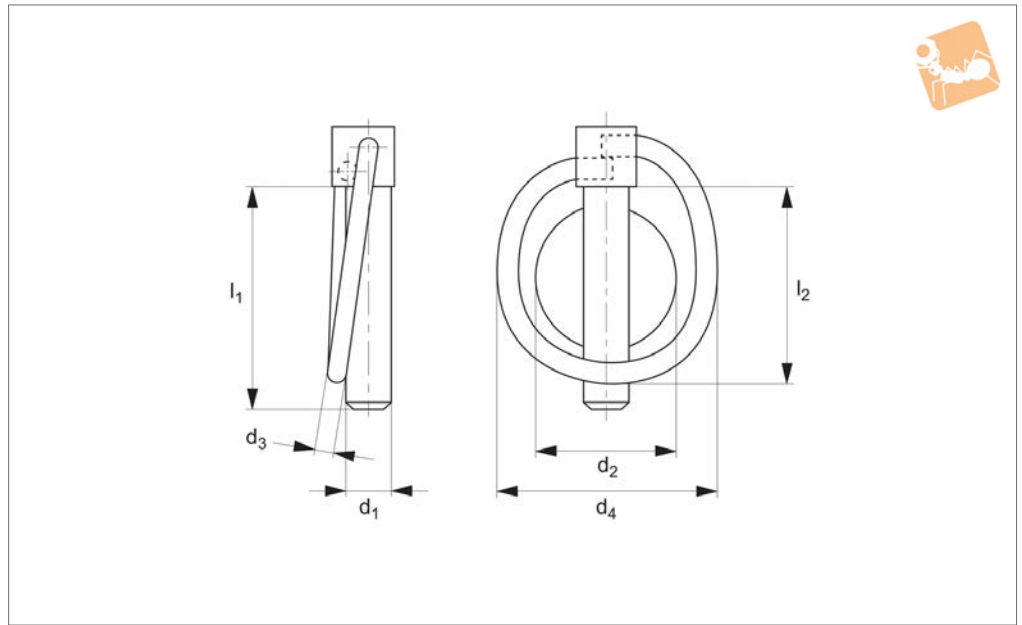
Technical Notes

With spring steel „keep“.

Order No.	d ₁	l ₁	d ₂ max.
P1248.045-032	4.5	32	28
P1248.045-040	4.5	40	36
P1248.060-032	6.0	32	28
P1248.060-040	6.0	40	36
P1248.060-045	6.0	45	40
P1248.080-040	8.0	40	36
P1248.080-045	8.0	45	40
P1248.080-050	8.0	50	45
P1248.080-060	8.0	60	50
P1248.100-040	10.0	40	36
P1248.100-050	10.0	50	45
P1248.100-060	10.0	60	55
P1248.110-045	11.0	45	40
P1248.110-055	11.0	55	50



P1247



Material
Mild steel, generally yellow zinc plated.

For pin $d_1 = 4,5$ & 6 there is no flat on the pin.

Technical Notes
To DIN 11023. With spring steel „keep“.

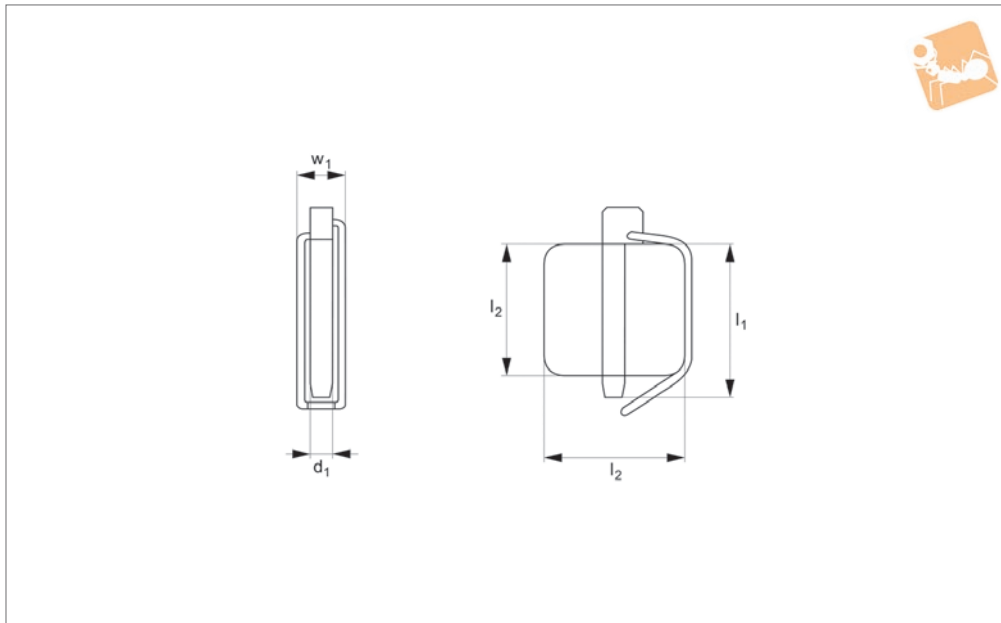
Order No.	d_1	l_1	d_2 max.	d_3	d_4	l_2
P1247.045	4.5	42	25	3.5	41	37
P1247.060	6.0	42	32	3.5	41	37
P1247.070	7.0	42	32	3.5	41	37
P1247.080	8.0	42	32	3.5	41	37
P1247.090	9.0	42	32	3.5	41	37
P1247.100	10.0	42	32	3.5	41	37
P1247.110	11.0	42	32	3.5	41	37



Locking Pins for square tubes



Other Pins



P1249

OTHER PINS

Material

Spring steel (EN10270-1-SM), yellow galvanised.

Order No.	d_1	l_1	l_2	w_1
P1249.040	9.5	55	40 x 40	16
P1249.050	9.5	65	50 x 50	21
P1249.060	11.5	75	60 x 60	23