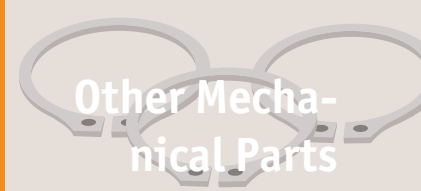
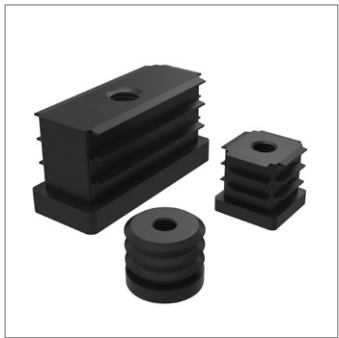
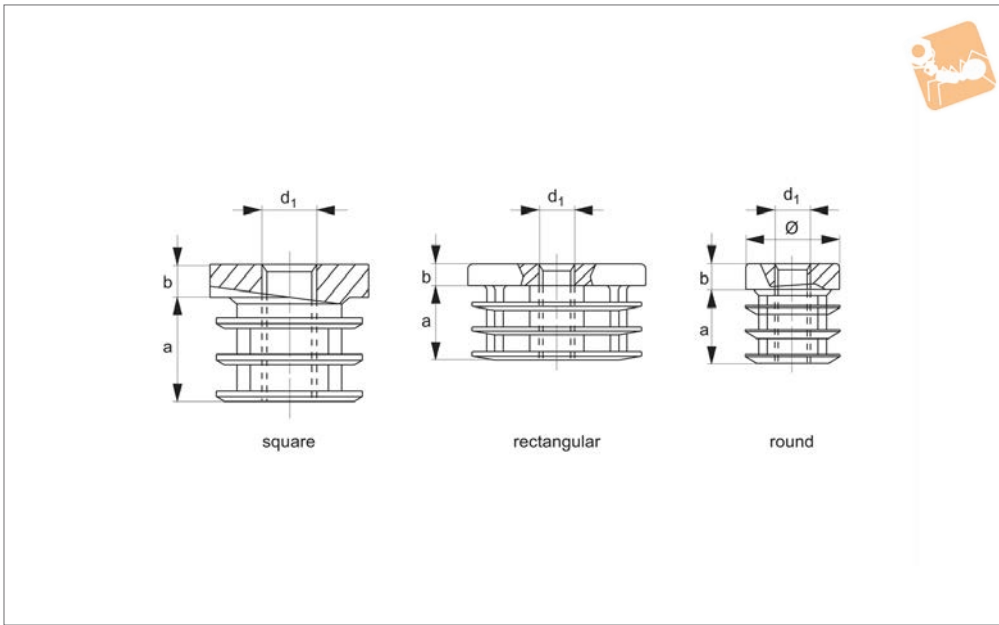




# Threaded Plastic Inserts for Hollow no bush



Other Mechanical Parts



**P1970**

OTHER MECHANICAL PARTS

**Material**

Thermoplastic, black. Moulded thread.

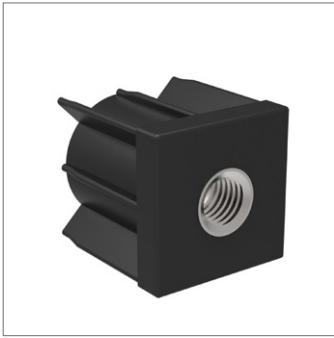
**Technical Notes**

For use with fixed feet.

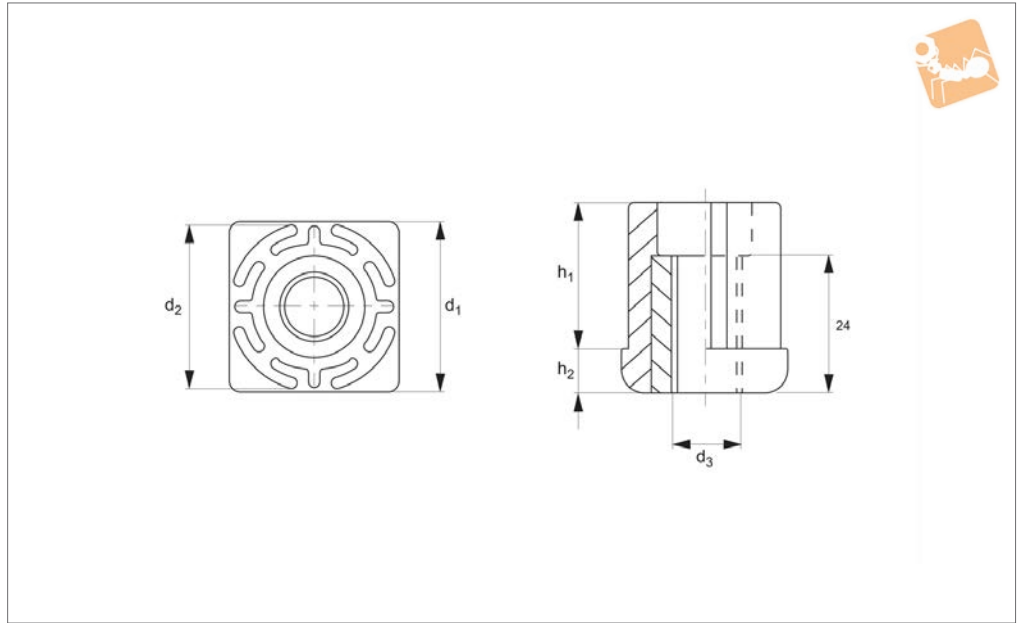
**Tips**

M 8 available on request, subject to minimum order quantity.

Order No.	Type	Tube size mm	d <sub>1</sub>	a	b
P1970.40-40	Square	40x40	M10	22	6



**P1974**



**Material**

Body: polyamide reinforced nylon.  
 Bush: brass, nickel plated.

**Technical Notes**

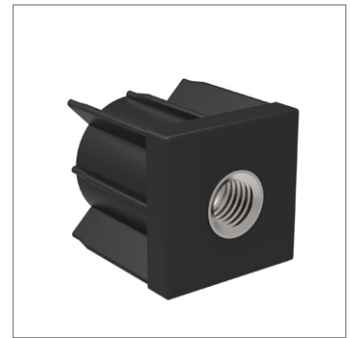
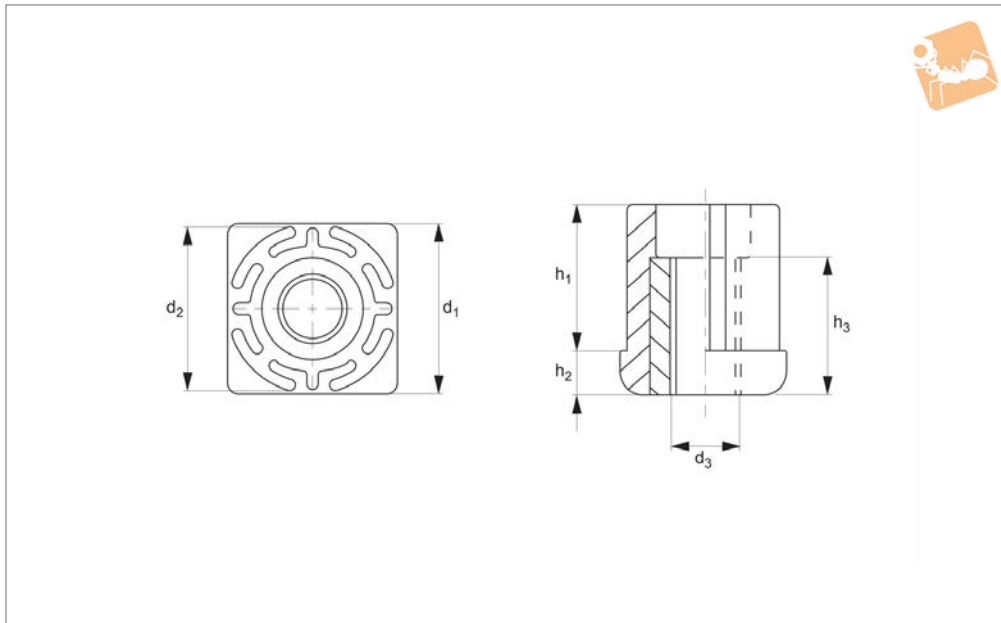
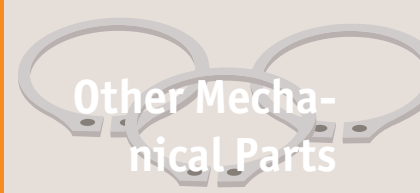
For use with levelling feet parts.

Order No.	Outerbox $d_1$	Innerbox $d_2$	$d_3$	$h_1$	$h_2$	Rec. load kg max.
<b>P1974.212</b>	40x40x1,5	37	M12	35	8	1000





# Threaded Plastic Insert for Hollow with stainless steel bush



**P1975**

OTHER MECHANICAL PARTS

### Material

Bush: stainless steel, type AISI 303.

Moulding: polyamide reinforced nylon.

Order No.	Outerbox $d_1$	Innerbox $d_2$	$d_3$	$h_1$	$h_2$	$h_3$	Load capacity for static load kg max.
<b>P1975.112</b>	30x30x1,5	27	M12	35	8	24	500
<b>P1975.210</b>	40x40x1,5	37	M10	35	8	24	1000